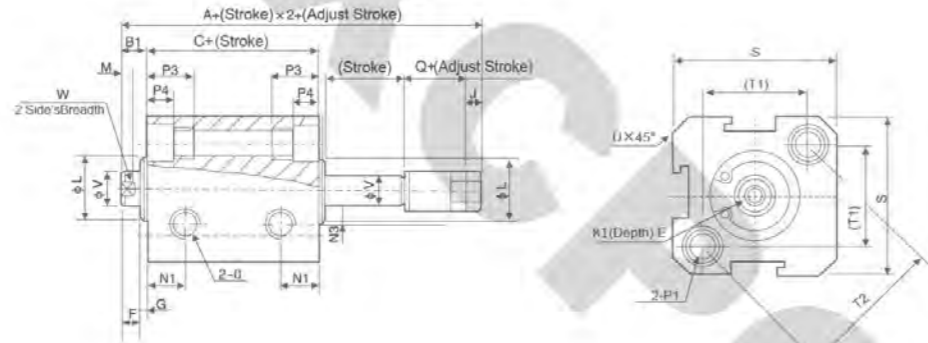


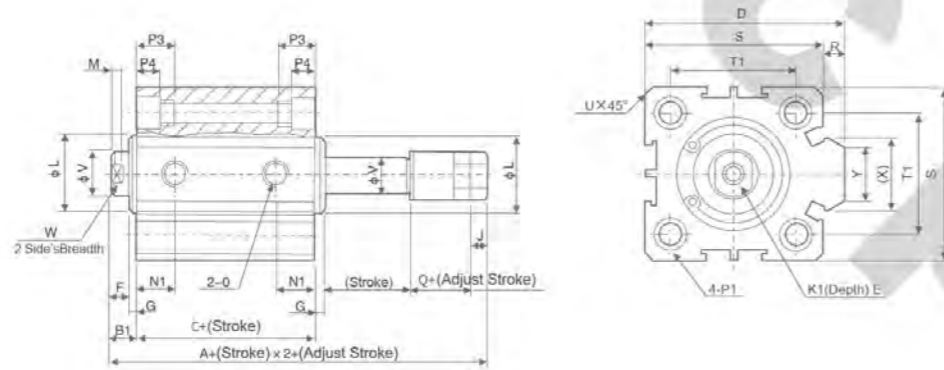
### SDA Series Thin Type(Compact) Cylinder

Overall Dimensions

SDAJ.SDAJS Type  
Φ12~Φ16



SDAJ.SDAJS Type  
Φ20~Φ100



Dimension Sheet

Type	Standart Type			Attach Magnet			D	E		F	G	K1	L	M	N1
	A	B1	C	A	B1	C		Stroke≤10	Stroke>10						
12	22	5	17	32	5	27	-	6	4	1	M3×0.5	10.2	2.8	6.3	
16	24	5.5	18.5	34	5.5	28.5	-	6	4	1.5	M3×0.5	11	2.8	7.3	
20	25	5.5	19.5	35	5.5	29.5	36	8	4	1.5	M4×0.7	15	2.8	7.5	
25	27	6	21	43	6	31	42	10	4	2	M5×0.8	17	2.8	8	
32	31.5	7	24.5	41.5	7	34.5	50	12	4	2	M6×1	22	2.8	9	
40	33	7	28	43	7	36	58.5	12	4	3	M8×1.25	28	2.8	10	
50	37	9	28	47	9	38	71.5	15	5	4	M10×1.5	38	2.8	10.5	
63	41	9	32	51	9	42	84.5	15	5	4	M10×1.5	40	2.8	11.8	
80	52	11	41	62	11	51	104	15	20	6	M14×1.5	45	4	14.5	
100	63	12	51	73	12	61	124	18	20	7	M18×1.5	55	4	20.5	

Bore Size/Symbol	N3	O	P1	P3	P4	R	S	T1	T2	U	V	W	X	Y
12	6	M5×0.8	Double Sides:Φ6.5/Thread:M5×0.8/Through ports:Φ4.2	12	4.5	-	25	16.2	23	1.6	6	5	-	-
16	6.5	M5×0.8	Double Sides:Φ6.5/Thread:M5×0.8/Through ports:Φ4.2	12	4.5	-	29	19.8	28	1.6	6	5	-	-
20	-	M5×0.8	Double Sides:Φ6.5/Thread:M5×0.8/Through ports:Φ4.2	14	4.5	2	34	24	-	2.1	8	6	11.3	10
25	-	M5×0.8	Double Sides:Φ6.5/Thread:M6×1.0/Through ports:Φ4.6	15	5.5	2	40	28	-	3.1	10	8	12	10
32	-	G1/8"	Double Sides:Φ6.5/Thread:M6×1.0/Through ports:Φ4.6	16	5.5	6	44	34	-	2.15	12	10	18.3	15
40	-	G1/8"	Double Sides:Φ6.5/Thread:M8×1.25/Through ports:Φ6.5	20	7.5	6.5	52	40	-	2.25	16	14	21.3	16
50	-	G1/4"	Double Sides:Φ6.5/Thread:M8×1.25/Through ports:Φ6.5	25	8.5	9.5	62	48	-	4.15	20	17	30	20
63	-	G1/4"	Double Sides:Φ6.5/Thread:M8×1.25/Through ports:Φ6.5	25	8.5	9.5	75	60	-	3.15	20	17	28.7	20
80	-	G3/8"	Double Sides:Φ6.5/Thread:M12×1.75/Through ports:Φ9.2	25	10.5	10	94	74	-	3.65	25	22	36	26
100	-	G3/8"	Double Sides:Φ6.5/Thread:M12×1.75/Through ports:Φ11.3	30	13	10	114	90	-	3.65	32	27	35	26

### CQ2 Series Compact Cylinder



CDQ2B 20 x 25D

CDQ2B 40 x 25

CQ2B 32 x 30-M

Ordering Code

**CQ2**        **12**    ×    **10**    **D**   

**Series Code**  
 CQ2:Normal Type  
 CDQ2:Attach magnet Type

**Mounting Style**  
 B:With through bore  
 A:With female thread on both ends

**Cylinder Bore**  
 Single action:12mm-50mm  
 Double action:12mm-100mm

**Stroke**  
 0~100mm

**Action**  
 D:Double action  
 S:Single action(with spring return)  
 T:Single action(with spring extent)

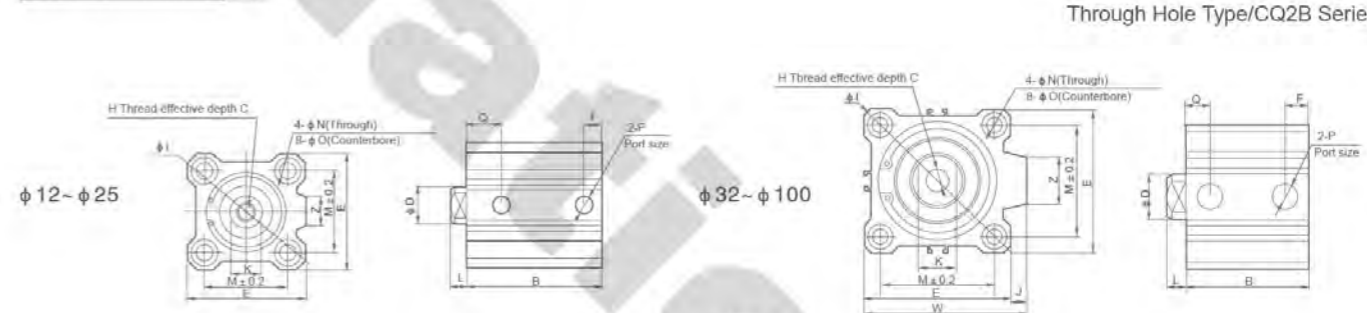
**Cylinder body (optional)**  
 Blank:Inner Thread  
 M:Outer Thread  
 C:With Cushion

Specification

Bore(mm)	12	16	20	25	32	40	50	63	80	100
Working Medium	Air									
Motion Pattern	Double action/Single Action Extrusion type/Single Action Drawing-in Type									
Ensured Pressure Resistance	15.3kgf/cm <sup>2</sup> (1.5Mpa)									
Max pressure	10.2kgf/cm <sup>2</sup> (1.0Mpa)									
Environment And Fluid Temp	5~+60 C									
Thread Type	Inner Thread(Standard)/Outer Thread(Optional)									
Buffering	NO									
Margin of Stroke Error(mm)	±0.0									
Installation	Through Hole (Standard), Inner size on the two sides(Optional)									
Port size	M5×0.8			G1/8"			G1/4"			G3/8"

Note:Pls Confirm Single Type Can't With Cushion.

Overall Dimensions



### CQ2 Series Compact Cylinder

Dimension Sheet(Double Action)

Model	Stroke range (mm)	B	ΦD	E	F	H	C	ΦI	J	K	L	M	ΦN	ΦO	P	Q	W	Z	Note 2) Long Stroke					
																			Model	Stroke (mm)	B	E	P	Q
CQ2B12-□D	5-30	17+st	6	25	5	M3×0.5	6	32	-	5	3.5	15.5	3.5	6.5 depth 3.5	M5×0.8	7.5	-	-	32	75,100	33	7.5	1/8	10.5
CQ2B16-□D	5-30	18.5+st	8	29	5.5	M4×0.7	8	38	-	6	3.5	20	3.5	6.5 depth 3.5	M5×0.8	8	-	10	40	75,100	39.5	8	1/8	11
CQ2B20-□D	5-50	19.5+st	10	36	5.5	M6×0.8	7	47	-	8	4.5	25.5	5.5	9 depth 7	M5×0.8	9	-	10	50	75,100	40.5	10.5	1/4	10.5
CQ2B25-□D	5-50	22.5+st	12	40	5.5	M8×1.0	12	52	-	10	5	28	5.5	9 depth 7	M5×0.8	11	-	10	63	75,100	46	10.5	1/4	15
CQ2B32-□D	5-100	23+st	16	45	5.5	M8×1.25	13	60	4.5	14	7	34	5.5	9 depth 7	M5×0.8	11.5	1/8	10.5	80	75,100	53.5	12.5	3/8	16
CQ2B40-□D	5-50	29.5+st	16	52	8	M8×1.25	13	69	5	14	7	40	5.5	9 depth 7	1/8	11	57	18						
CQ2B50-□D	10-50	30.5+st	20	64	10.5	M10×1.5	15	86	7	17	8	50	6.6	11 depth 8	1/4	10.5	71	22						
CQ2B63-□D	10-50	38+st	20	77	10.5	M10×1.5	15	103	7	17	8	60	9	14 depth 10.5	1/4	15	84	22						
CQ2B80-□D	10-50	43.5+st	25	98	12.5	M16×2.0	21	132	6	22	10	77	11	17.5 depth 13.5	3/8	16	104	26						
CQ2B100-□D	10-50	53+st	30	117	13	M20×2.5	27	156	6.5	27	12	94	11	17.5 depth 13.5	3/8	23	123.5	26						

St=Stroke

Note 1)The standard stroke is at a distance of each 5 mm.

Note 2)The stroke between 55mm-100mm(55,60,65,70,80,85,90,95,)need to be added thickness of 5,10,15 or 20mm pad.

Note 3)External dimensions with bumper are same as standard type as shown above.

Dimension Sheet(Single Action)

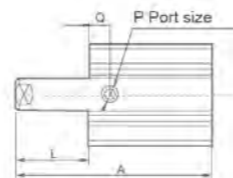
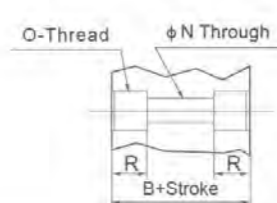
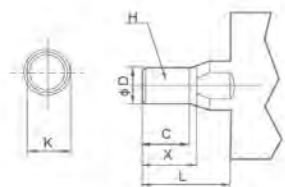
Model	B			ΦD	E	F		H	C	ΦI	J	K	L	M	ΦN	ΦO	P			Q		W	Z
	5st	10st	20st			5st	10st										5st	10st	20st	5st	10st		
CQ2B12-□S	22	27	-	6	25	5	5	M3×0.5	6	32	-	5	3.5	15.5	3.5	6.5 depth 3.5	M5×0.8	-	7.5	7.5	-	-	-
CQ2B16-□S	23.5	28.5	-	8	29	5.5	5.5	M4×0.7	8	38	-	6	3.5	20	3.5	6.5 depth 3.5	M5×0.8	-	8	8	-	10	-
CQ2B20-□S	24.5	29.5	-	10	36	5.5	5.5	M5×0.8	7	47	-	8	4.5	25.5	5.5	9 depth 7	M5×0.8	-	9	9	-	10	-
CQ2B25-□S	27.5	32.5	-	12	40	5.5	5.5	M6×1.0	12	52	-	10	5	28	5.5	9 depth 7	M5×0.8	-	11	11	-	10	-
CQ2B32-□S	28	33	-	16	45	5.5	7.5	M8×1.25	13	60	4.5	14	7	34	5.5	9 depth 7	M5×0.8	1/8	-	11.5	11.5	49.5	18
CQ2B40-□S	34.5	39.5	-	16	52	8	8	M8×1.25	13	69	5	14	7	40	5.5	9 depth 7	1/8	-	11	11	57	18	-
CQ2B50-□S	-	40.5	50.5	20	64	10.5	10.5	M10×1.5	15	86	7	17	8	50	6.6	11 depth 8	-	1/4	10.5	10.5	71	22	-

St=Stroke

Outer Thread Type

(Inner Thread Type)/CQ2A

Single Action (with Spring extent) φ 12-φ 50



Outer Thread Type

Note3)Inner Thread Type

Single Action (with Spring extent)

Bore(mm)	C	X	ΦD	H	L	K
12	9	10.5	6	M5×0.8	14	5
16	10	12	8	M6×1.0	15.5	6
20	12	14	10	M8×1.25	18.5	8
25	15	17.5	12	M10×1.25	22.5	10
32	10.5	13.5	16	M14×1.5	28.5	14
40	20.5	23.5	16	M14×1.5	28.5	14
50	26	28.5	20	M18×1.5	33.5	17
63	26	28.5	20	M18×1.5	33.5	17
80	32.5	35.5	25	M22×1.5	43.5	22
100	32.5	35.5	30	M26×1.5	43.5	27

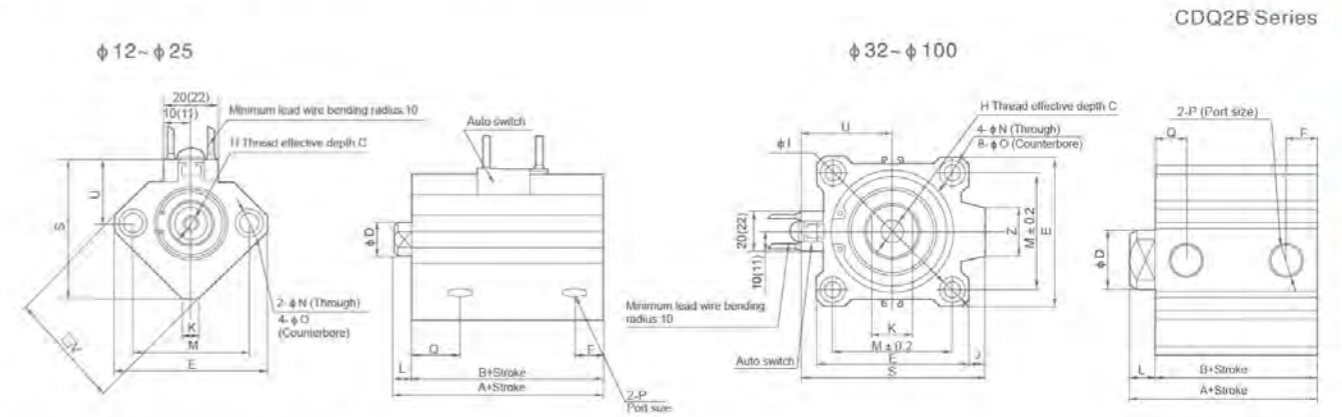
Bore(mm)	O	R
12	M4×0.7	7
16	M4×0.7	7
20	M6×1.0	10
25	M6×1.0	10
32	M6×1.0	10
40	M6×1.0	10
50	M8×1.25	14
63	M10×1.5	18
80	M12×1.75	22
100	M12×1.75	22

Bore (mm)	A			L		
	5st	10st	20st	5st	10st	20st
12	30.5	40.5	-	8.5	13.5	-
16	32	42	-	8.5	13.5	-
20	34	44	-	9.5	14.5	-
25	37.5	47.5	-	10	15	-
32	40	50	-	12	17	-
40	46.5	56.5	-	12	17	-
50	-	58.5	78.5	-	18	28

External dimensions with bumper are same as standard type as shown above.

### CQ2 Series Compact Cylinder

Overall Dimensions



Dimension Sheet(Double Action)

Model	Stroke range (mm)	A	B	ΦD	E	F	H	C	ΦI	J	K	L	M	ΦN	ΦO	P	Q	S	U	V	Z
CDQ2B12	5-30	31.5	28	6	32	6.5	M3×0.5	6	-	-	5	3.5	22	3.5	6.5 depth 3.5	M5×0.8	11	35.5	19.5	25	-
CDQ2B16	5-30	34	30.5	8	38	5.5	M4×0.7	8	-	-	6	3.5	28	3.5	6.5 depth 3.5	M5×0.8	10	41.5	22.5	29	-
CDQ2B20	5-50	36	31.5	10	46.8	5.5	M5×0.8	7	-	-	8	4.5	36	5.5	9 depth 7	M5×0.8	10.5	48	24.5	36	-
CDQ2B25	5-50	37.5	32.5	12	52	5.5	M6×1.0	12	-	-	10	5	40	5.5	9 depth 7	M5×0.8	11	53.5	27.5	40	-
CDQ2B32	5-50	40	33	16	45	7.5	M8×1.25	13	60	4.5	14	7	34	5.5	9 depth 7	1/8	10.5	58.5	31.5	-	18
CDQ2B40	5-50	46.5	39.5	16	52	8	M8×1.25	13	69	5	14	7	40	5.5	9 depth 7	1/8	11	66	35	-	18
CDQ2B50	10-50	48.5	40.5	20	64	10.5	M10×1.5	15	86	7	17	8	50	6.6	11 depth 8	1/4	10.5	80	41	-	22
CDQ2B63	10-50	54	46	20	77	10.5	M10×1.5	15	103	7	17	8	60	9	14 depth 10.5	1/4	15	93	47.5	-	22
CDQ2B80	10-50	63.5	53.5	25	98	12.5	M16×2.0	21	132	6	22	10	77	11	17.5 depth 13.5	3/8	16	112.5	57.5	-	26
CDQ2B100	10-50	75	63	30	117	13	M20×2.5	27	156	6.5	27	12	94	11	17.5 depth 13.5	3/8	23	132.5	67.5	-	26

Note2) (Long Stroke)

Model	Stroke (mm)	A	B	F	P	Q
32	75,100	40	33	7.5	1/8	10.5
40	75,100	46.5	39.5	8	1/8	11
50	75,100	48.5	40.5	10.5	1/4	10.5
63	75,100	54	46	10.5	1/4	15
80	75,100	63.5	53.5	12.5	3/8	16
100	75,100	75	63	13	3/8	23

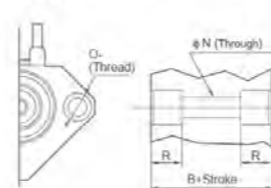
Note 1)The standard stroke is at a distance of each 5 mm.

Note 2)The stroke between 55mm-100mm(55,60,65,70,80,85,90,95,)need to be added thickness of 5,10,15 or 20mm pad.

Note 3)External dimensions with bumper are same as standard type as shown above.

Note 4)The stroke of cylinder in 5 mm can be fixed only one magnetism switch

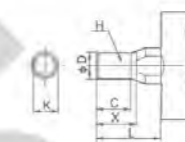
Inner Thread Type CDQ2A



Note3)Inner Thread Type

Bore (mm)	O	R
12	M4×0.7	7
16	M4×0.7	7
20	M6×1.0	10
25	M6×1.0	10
32	M6×1.0	10
40	M6×1.0	10
50	M8×1.25	14
63	M10×1.5	18
80	M12×1.75	22
100	M12×1.75	22

Outer Thread type



Outer Thread type

Bore (mm)	C	X	ΦD	H	L	K
12	9	10.5	6	M5×0.8	14	5
16	10	12	8	M6×1.0	15.5	6
20	12	14	10	M8×1.25	18.5	8
25	15	17.5	12	M10×1.25	22.5	10
32	20.5	23.5	16	M14×1.5	28.5	14
40	20.5	23.5	16	M14×1.5	28.5	14
50	26	28.5	20	M18×1.5	33.5	17
63	26	28.5	20	M18×1.5	33.5	17
80	32.5	35.5	25	M22×1.5	43.5	22
100	32.5	35.5	30	M26×1.5	43.5	27