

CXS Series Double-Shaft Cylinder



CXS 20 x 50

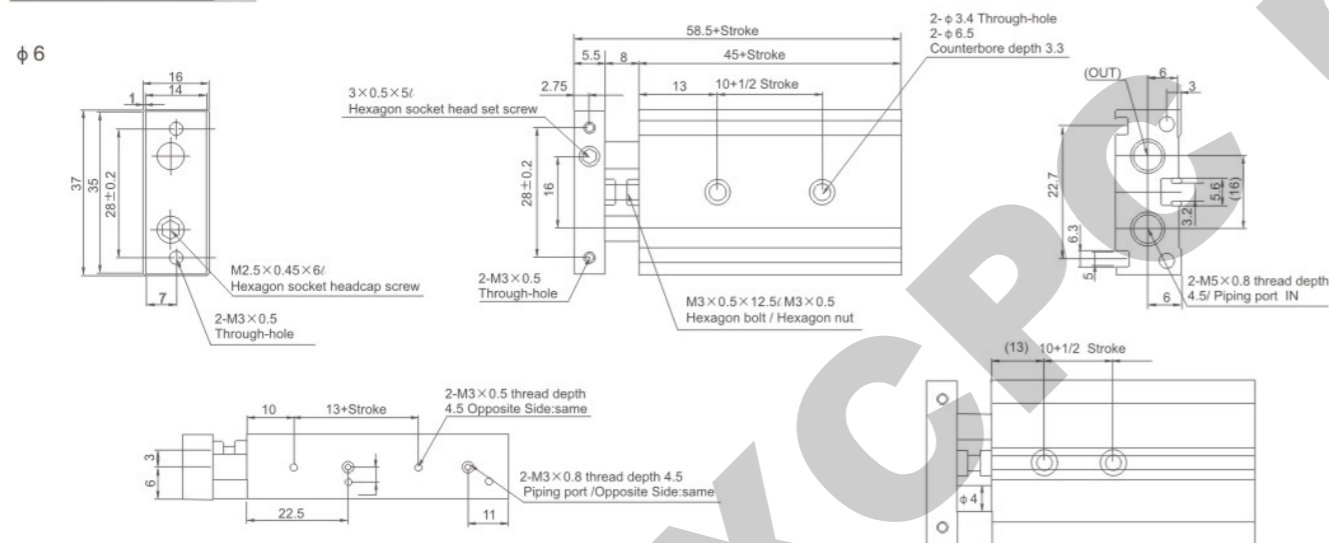
Ordering Code

CXS	M	20	×	50
Series Code CXS: Attach Magnet Type	Type of Bearing M: Slide Bearing Type L: Ball Guide Bearing Type	Cylinder Bore 6mm 10mm 15mm 20mm 25mm 32mm		Stroke Φ6: 0~50mm Φ10~32: 0~100mm

Specification

Bore(mm)	6	10	15	20	25	32	
Working Medium	Air						
Motion Pattern	Double action						
Ensured Pressure Resistance	1.05Mpa(10.7kgf/cm ²)						
Max.pressure	0.7Mpa(7.1kgf/cm ²)						
Min.pressure	0.15Mpa(1.5kgf/cm ²)	0.1Mpa(1.0kgf/cm ²)				0.05Mpa(0.51kgf/cm ²)	
Operating Temperature Range	5~+60℃						
Buffering	Both ends buffer						
Structure	Double Power						
Stroke Adjustable Range	Return Stroke: 0~5mm						
Bearing	Slide Bearing/Ball Guide Bearing						
Precision of Piston rod Non-rotating	Slide Bearing	±0.1	±0.15	±0.13	±0.11	±0.1	±0.08
	Ball Guide Bearing	±0.1	±0.1	±0.07	±0.06	±0.05	±0.04
Port size	M5×0.8						

Overall Dimensions

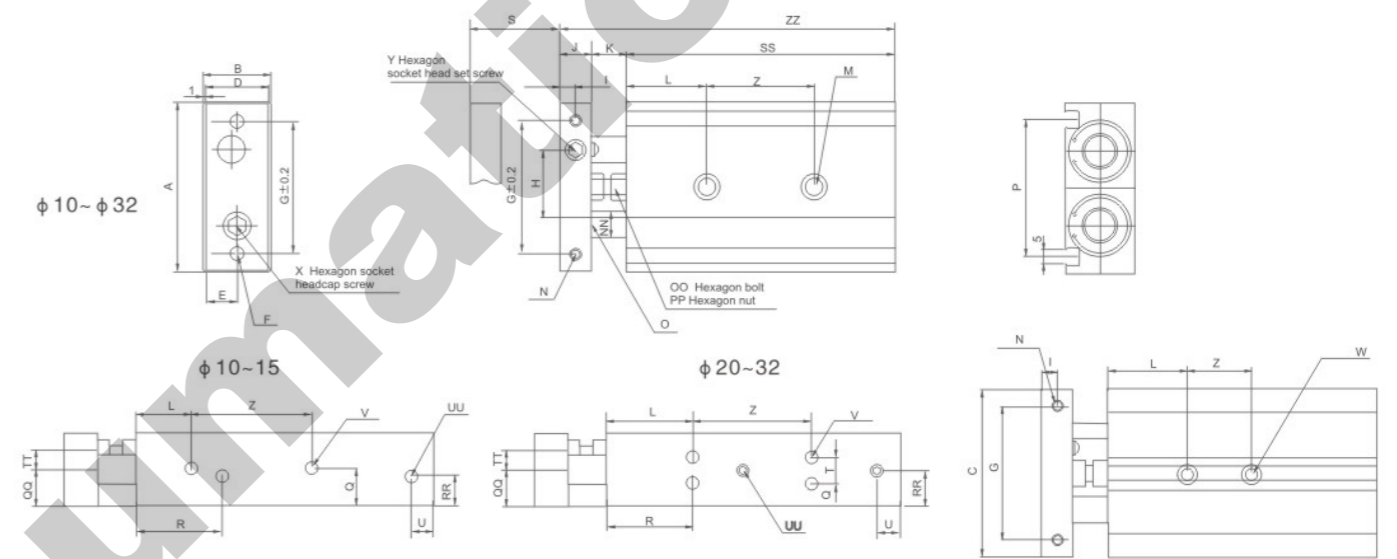


Dimension Sheet

Model	Stroke	10+1/2 Stroke	13+Stroke	45+Stroke	58.5+Stroke
CXS _□ 6-10	10	15	23	55	68.5
CXS _□ 6-20	20	20	33	65	78.5
CXS _□ 6-30	30	25	43	75	88.5
CXS _□ 6-40	40	30	53	85	95.5
CXS _□ 6-50	50	35	63	95	108.5

CXS Series Double-Shaft Cylinder

Overall Dimensions



Dimension Sheet

Model	A	B	C	D	E	F	G	H	I	J	K	L	M	N	NN	O	OO	P	
CXS _□ 10-10 /20/30/40/50	46	17	44	15	7.5	2-M4×0.7	35	20	4	8	9	20	2-φ3.4/through 2-φ6.5 Counterbore depth3.3	2-M3×0.5 thread depth 5	φ6	5	M4×0.7×14.5L	33.6	
CXS _□ 15-10 /20/30/40/50	58	20	56	18	9	2-M5×0.8	45	25	5	10	9	30	2-φ4.3/through 2-φ8 Counterbore depth4.4	2-M4×0.7 thread depth 6	φ8	6	M4×0.7×14.5L	48	
CXS _□ 20-10/20/30/40/50/75/100	64	25	62	23	11.5	2-M5×0.8	50	28	6	12	12	30	2-φ5.5/through 2-φ9.5 Counterbore depth5.3	2-M4×0.7 thread depth 6	φ10	8	M6×1.0×18.5L	53	
CXS _□ 25-10/20/30/40/50/75/100	80	30	78	28	14	2-M6×1.0	60	35	6	12	12	30	2-φ6.9/through 2-φ11 Counterbore depth6.3	2-M5×0.8 thread depth 7.5	φ12	10	M6×1.0×18.5L	64	
CXS _□ 32-10/20/30/40/50/75/100	98	38	96	36	18	2-M6×1.0	75	44	8	16	14	30	2-φ6.9/through 2-φ11 Counterbore depth6.3	2-M5×0.8 thread depth 8	φ16	13	M8×12.5×23L	76	
Model	PP	Q	QQ	R	RR	T	TT	U	UU	V	W	X	Y						
CXS _□ 10-10 /20/30/40/50	M4×0.7	8.5	7	30	7	-	5	8	4-M5×0.8 thread depth 4.5	4-M3×0.5 thread depth 4.5	2-M4×0.7 thread depth 7	M3×0.5×10L	M3×0.5×5L						
CXS _□ 15-10 /20/30/40/50	M4×0.7	10	10	38.5	10	-	5	8	4-M5×0.8 thread depth 4.5	4-M4×0.7 thread depth 5	2-M5×0.8 thread depth 8	M5×0.8×10L	M4×0.7×4L						
CXS _□ 20-10/20/30/40/50/75/100	M6×1.0	7.75	12.5	45	7.75	9.5	6.5	8	4-M5×0.8 thread depth 4.5	8-M4×0.7 thread depth 6	2-M6×1.0 thread depth 10	M6×1.0×12L	M5×0.8×5L						
CXS _□ 25-10/20/30/40/50/75/100	M6×1.0	8.5	15	46	15	13	9	9	4-1/8 thread depth 6.5	8-M5×0.8 thread depth 7.5	2-M8×1.25 thread depth 12	M6×1.0×14L	M6×1.0×5L						
CXS _□ 32-10/20/30/40/50/75/100	M8×1.25	9	19	56	19	20	11.5	10	4-1/8 thread depth 6.5	8-M5×0.8 thread depth 7.5	2-M8×1.25 thread depth 12	M8×1.25×16L	M8×1.25×8L						
Model	S	SS	Z	ZZ	Model	S	SS	Z	ZZ	Model	S	SS	Z	ZZ	Model	S	SS	Z	ZZ
CXS _□ 10-10	10	65	30	82	CXS _□ 15-10	10	70	25	89	CXS _□ 20-10	10	80	30	104	CXS _□ 25-10	10	82	30	106
CXS _□ 10-20	20	75	30	92	CXS _□ 15-20	20	80	25	99	CXS _□ 20-20	20	90	30	114	CXS _□ 25-20	20	95	30	116
CXS _□ 10-30	30	85	30	102	CXS _□ 15-30	30	90	25	109	CXS _□ 20-30	30	100	30	124	CXS _□ 25-30	30	102	30	126
CXS _□ 10-40	40	95	40	112	CXS _□ 15-40	40	100	35	119	CXS _□ 20-40	40	110	40	134	CXS _□ 25-40	40	112	40	136
CXS _□ 10-50	50	105	40	122	CXS _□ 15-50	50	110	35	129	CXS _□ 20-50	50	120	40	144	CXS _□ 25-50	50	122	40	146
										CXS _□ 20-75	75	145	60	169	CXS _□ 25-75	75	147	60	171
										CXS _□ 20-100	100	170	60	194	CXS _□ 25-100	100	172	60	196
															CXS _□ 32-100	100	182	70	212