

### RSQ Series Stopper Cylinder



RSQA 50 x 75R

Ordering Code

<b>RSQ</b>	<input type="checkbox"/>	<input type="checkbox"/>	<b>20</b>	×	<b>15</b>	—	<b>S</b>	<input type="checkbox"/>
<b>Series Code</b> RSQ Series	<b>Mounting Type</b> Blank: Though Hole (Standard) A: Both Ends Tapped Style	<b>Acting Type</b> Blank: Basic Type B: Basic type (with spring) SA: Single acting Spring extend	<b>Cylinder Bore</b> 20mm 32mm 40mm 50mm		<b>Stroke</b>		<b>Magnet Code</b> Blank: Without Magnet S: With Magnet	<b>Rod end Type</b> Blank: Round bar type K: Chamfered type R: Roller type L: Level roller type (with shock absorber)

#### Specification

Bore (mm)	20	32	40	50
Motion Pattern	Double acting, Double acting with spring loaded, Single acting (Spring extend)			
Fluid	Air			
Ensured Pressure Resistance	1.5Mpa (15.3kgf/cm <sup>2</sup> )			
Max. pressure	1.0Mpa (10.2kgf/cm <sup>2</sup> )			
Ambient and fluid temperature	-10~+70°C With auto switch: No freezing +60°C			
Buffering	Rubber bumper			
Tolerance of stroke	+1.4 (mm) 0			
*Lubrication	Not required			
Mounting	Through-hole, Both ends tapped common			
Port size	RC (PT1/8)			

#### Model

Bore size (mm)	20	32	40	50
Mounting	Through-hole	●	●	●
	Both ends tapped style	●	●	●
Built-in magnet	●	●	●	●
Piping	Screw-in type	Rc 1/8		
	Built-in One-touch fittings	φ 6/4		φ 8/6
Action	Double acting Single acting (Single extend), Double acting with spring loaded			
Rod end configuration	Round bar	●		●
	Chamfered	●		●
	Roller type	●		●
	Lever type	-		●

φ 12 tubes can have both through-hole and tap mountings in the same tube.

#### Standard Stroke

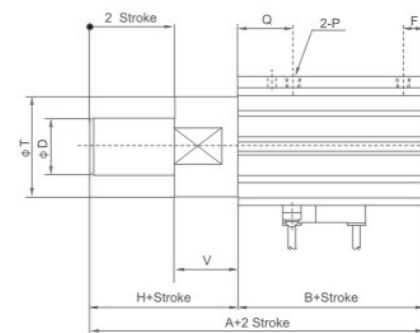
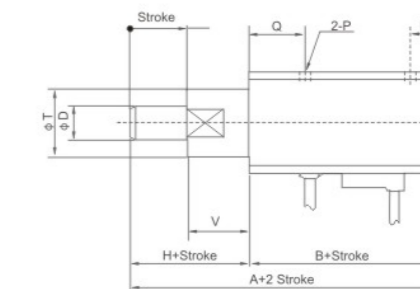
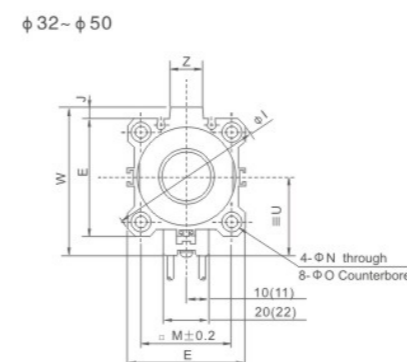
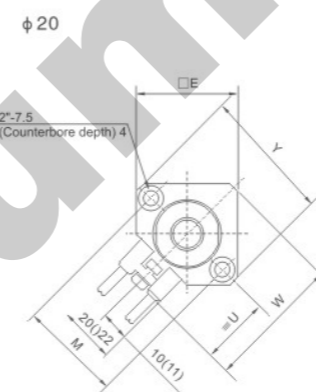
Bore size (mm)	Rod end configuration		
	Round bar, Chamfered type	Roller type	Lever type with shock absorber
20			-
32	10, 15, 20	10, 15, 20	10, 15, 20
40			
50	20, 25, 30	20, 25, 30	20, 25, 30

### RSQ Series Stopper Cylinder

Overall Dimensions

Basic style: Through-hole mounting, Screw mounting  
These 5 figures show the piston rod extended.

	Screw mounting style: Both ends tapped style (mm)				
	Mode	B	N	Q1	R
	RSQA20	45	5.5	M6×1	10
	RSQA32	48	5.5	M6×1	10
	RSQA40	52.5	5.5	M6×1	10
RSQA50	54	6.6	M8×1.25	14	



#### Dimension Sheet

Bore size (mm)	A	B	D	E	F	G	H	I	M	N	O Counterbore	P	Q	T	U	V	W	Y	Z	
20	67	45	12	36	8	4	22	-	36	5.5	9 depth 7	Rc 1/8	20	24	24.5	22	48	47	-	
32	68	48	20	45	7.5	8	20	60	4.5	34	5.5	9 depth 7	Rc 1/8	20	36	31.5	20	58.5	-	14
40	80.5	52.5	25	52	8	10	28	69	5	40	5.5	9 depth 7	Rc 1/8	24.5	44	35	28	66	-	14
50	82	54	25	64	8	10	28	86	7	50	6.6	11 depth 8	Rc 1/8	24.5	56	41	28	80	-	19

Note1) Dimensions without auto switch are the same as drawing above.

Note2) These figures show the dimensions when equipped with D-A 73 or D-A 80 auto switches.

Note3) These figures show the piston rod extended.