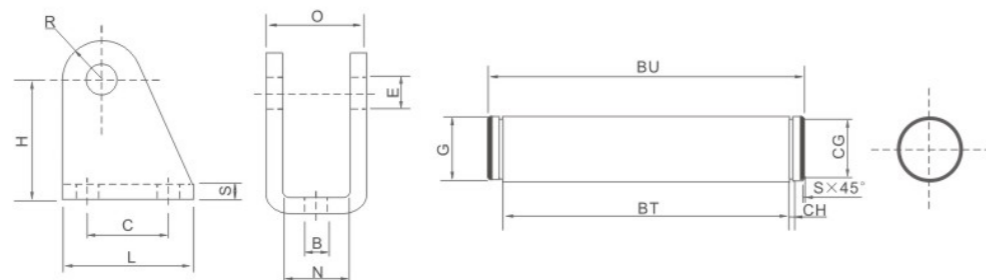


Mini Cylinder Accessories

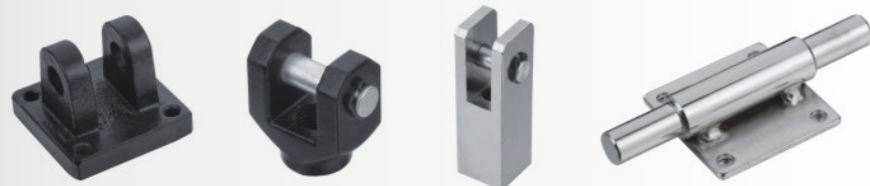


M-U+Pin



Symbol/Bore	B	E	C	H	L	N	O	R	S	G	BT	CG	CH	BU	S
8/10	4.5	4	12.5	24	20	8.1	13	5	2.5	4	14	2.5	0.5	17	0.2
12/16	5.5	6	15	27	25	13	18	7	2.5	6	19	4	0.8	24	0.4
20/25	6.6	8	20	29.5	32	16.1	24	10	4	8	25.2	5	0.9	29.5	0.5

Special cylinder accessories



Our company can customize all kinds of non-standard cylinder accessories according to your drawing or sample.

Seal Kits for Pneumatic Cylinder



Seal kits-DNC

Product	Model	Cylinder bore size	Temperature
Seal kits-DNC		Φ32~125	-5~75℃
Seal kits-DNG		Φ160~320	
Seal kits-SI		Φ32~200	
Seal kits-SC		Φ32~200	
Seal kits-MA		Φ10~40	
Seal kits-MAL		Φ16~40	
Seal kits-SDA		Φ12~100	
Seal kits-ADVU		Φ16~80	



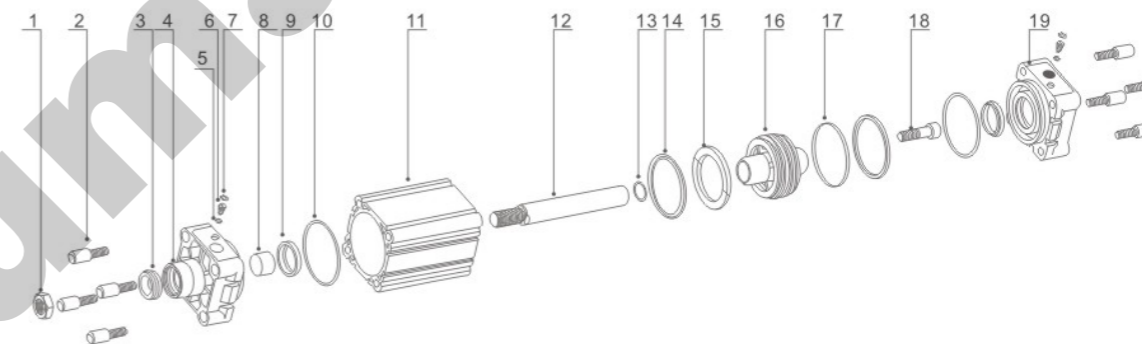
Seal kits-DNC-Viton

Product	Model	Cylinder bore size	High temperature
Seal kits-DNC-Viton		Φ32~125	-10~150℃
Seal kits-DNG-Viton		Φ160~320	
Seal kits-SI-Viton		Φ32~200	
Seal kits-SC-Viton		Φ32~200	
Seal kits-MA-Viton		Φ10~40	
Seal kits-MAL-Viton		Φ16~40	
Seal kits-SDA-Viton		Φ12~100	
Seal kits-ADVU-Viton		Φ16~80	

Assembly kits for pneumatic cylinder

DNC Series Cylinder Kits

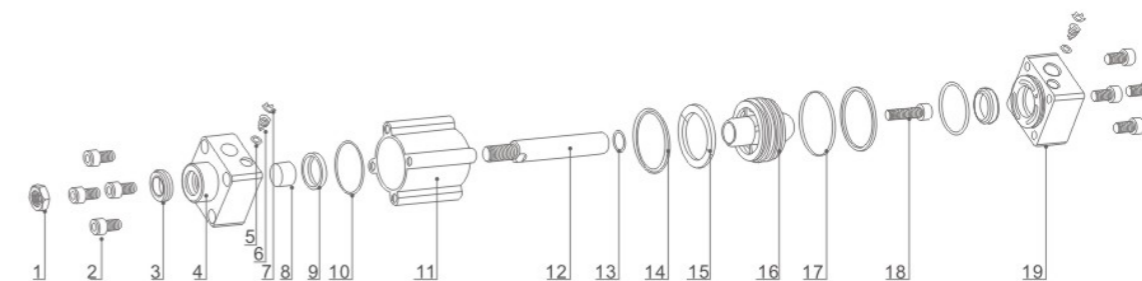
Product	Model/ Specification	Part name	Material	Part name	Material
	DNC Kits (ISO6431&V DMA24562) Bore size: φ 32,40, 50,63,80, 100,125	Front cover	Aluminum alloy	Piston seal	NBR
		Back cover	Aluminum alloy	Wear ring	PA66
		Piston	Aluminum alloy	Self lubricating bearing	PTFE+Brass
		Piston rod(Without)	S45C hard chrome carbon steel	Magnet(optional)	RbFeb
		Barrel(Without)	Hard anodized aluminum	Cushion needle	Brass
		Front Cover seal	PU	Hexagon screw	Carbon steel
		Cushion seal	NBR	Nut	Carbon steel
		Piston rod O-ring	NBR	Profile bolt	Carbon steel
		Cover O-ring	NBR		



NO	Designation	NO	Designation	NO	Designation	NO	Designation	NO	Designation
1	Nut	5	O-ring	9	Cushion seal	13	Rod O-ring	17	Wear ring
2	Profile bolt	6	Adjustable screw	10	Cover O-ring	14	Piston seal	18	Hex Socket Screw
3	Front Cover seal	7	Block slip	11	Barrel(Without)	15	Magnet(optional)	19	Back cover
4	Front cover	8	Self Lubricating bearing	12	Piston rod(Without)	16	Piston		

SI Series Cylinder Kits

Product	Model/ Specification	Part name	Material	Part name	Material
	SI Kits (ISO6431) Bore size: φ 32,40,50, 63,80,100,125, 160,200	Front cover	Aluminum alloy	Piston seal	NBR
		Back cover	Aluminum alloy	Wear ring	PA66
		Piston	Aluminum alloy	Self lubricating bearing	PTFE+Brass
		Piston rod(Without)	S45C hard chrome carbon steel	Magnet(optional)	RbFeb
		Barrel(Without)	Hard anodized aluminum	Cushion needle	Brass
		Front Cover seal	NBR	Hexagon screw	Carbon steel
		Cushion seal	NBR	Nut	Carbon steel
		Piston rod O-ring	NBR	Profile bolt	Carbon steel
		Cover O-ring	NBR		



NO	Designation	NO	Designation	NO	Designation	NO	Designation	NO	Designation
1	Nut	5	O-ring	9	Cushion Seal	13	Rod O-ring	17	Wear ring
2	Profile bolt	6	Adjustable screw	10	Cover O-ring	14	Piston seal	18	Hex Socket screw
3	Front Cover seal	7	Block slip	11	Barrel(Without)	15	Magnet(optional)	19	Back cover
4	Front cover	8	Self Lubricating bearing	12	Piston rod(Without)	16	Piston		