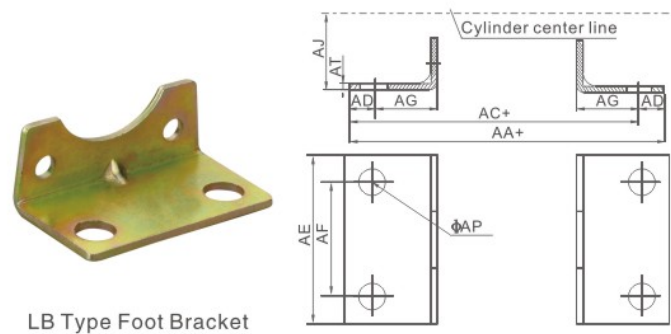
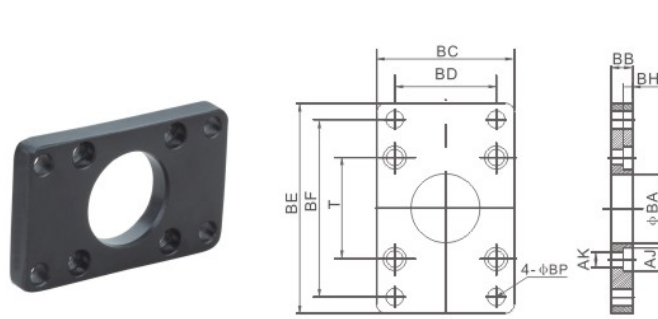


Standard Cylinder Accessories



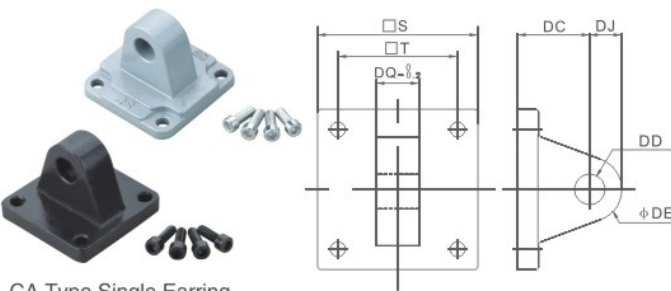
LB Type Foot Bracket

| Symbol/Bore | 32 | 40 | 50 | 63 | 80 | 100 | 125 | 160 | 200 |
|-------------|------|------|------|-----|-----|-----|-----|-----|-----|
| AA | 153 | 169 | 173 | 184 | 199 | 210 | 249 | 328 | 380 |
| AC | 134 | 140 | 149 | 158 | 167 | 174 | 213 | 288 | 320 |
| AD | 9.5 | 14.5 | 12 | 13 | 16 | 18 | 18 | 20 | 30 |
| AE | 50 | 57 | 68 | 80 | 97 | 112 | 140 | 180 | 220 |
| AF | 33 | 36 | 47 | 56 | 70 | 84 | 90 | 115 | 135 |
| AG | 20.5 | 23.5 | 28 | 31 | 30 | 30 | 45 | 60 | 70 |
| AJ | 28 | 30 | 36.5 | 41 | 49 | 57 | 90 | 115 | 135 |
| AP | 9 | 12 | 12 | 12 | 14 | 14 | 16 | 18 | 24 |
| AT | 3 | 3 | 3 | 3 | 4 | 4 | 8 | 8 | 10 |



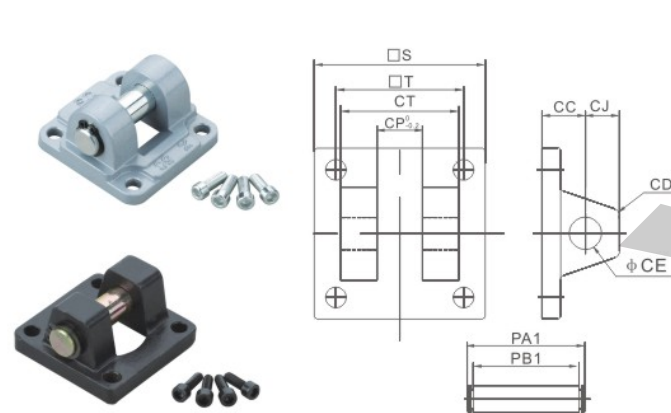
FA/FB Type Flange

| Symbol/Bore | 32 | 40 | 50 | 63 | 80 | 100 | 125 | 160 | 200 |
|-------------|------|------|------|------|------|------|------|------|------|
| BA | 28.3 | 32.3 | 38.3 | 38.3 | 47.3 | 47.3 | 56 | 63 | 81 |
| BB | 10 | 10 | 10 | 12 | 16 | 16 | 16 | 20 | 25 |
| BC | 47 | 52 | 65 | 76 | 95 | 115 | 140 | 180 | 220 |
| BD | 33 | 36 | 47 | 56 | 70 | 84 | 90 | 115 | 135 |
| BE | 72 | 84 | 104 | 116 | 143 | 162 | 224 | 280 | 320 |
| BF | 58 | 70 | 86 | 98 | 119 | 138 | 180 | 230 | 270 |
| BH | 6.5 | 6.5 | 6.5 | 8.5 | 10.5 | 10.5 | 10.5 | 12.5 | 16.5 |
| AJ | 10.5 | 10.5 | 13.5 | 13.5 | 5 | 5 | 19 | 25 | 25 |
| AK | 6.5 | 6.5 | 6.5 | 8.5 | 10.5 | 10.5 | 12.5 | 16.5 | 16.5 |
| BP | 7 | 7 | 9 | 9 | 11 | 11 | 16 | 18 | 22 |
| T | 33 | 37 | 47 | 56 | 70 | 84 | 110 | 140 | 175 |



CA Type Single Earring

| Symbol/Bore | 32 | 40 | 50 | 63 | 80 | 100 | 125 | 160 | 200 |
|-------------|----|----|----|----|----|-----|-----|-----|-----|
| S | 48 | 50 | 62 | 75 | 94 | 112 | 140 | 180 | 220 |
| T | 33 | 37 | 47 | 56 | 70 | 84 | 110 | 140 | 175 |
| DC | 34 | 34 | 34 | 34 | 48 | 48 | 50 | 55 | 60 |
| DD | 14 | 14 | 14 | 14 | 20 | 20 | 25 | 30 | 30 |
| DE | 12 | 14 | 14 | 14 | 20 | 20 | 25 | 30 | 30 |
| DJ | 14 | 14 | 15 | 15 | 20 | 20 | 25 | 30 | 30 |
| DQ | 16 | 20 | 20 | 20 | 32 | 32 | 70 | 90 | 90 |



CB +Pin Type Double Earring

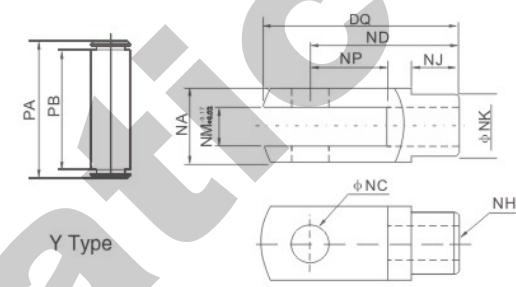
| Symbol/Bore | 32 | 40 | 50 | 63 | 80 | 100 | 125 | 160 | 200 |
|-------------|------|------|------|------|------|------|-------|-------|-------|
| CC | 19 | 19 | 19 | 19 | 32 | 32 | 50 | 55 | 60 |
| CD | 5 | 5 | 3 | 2 | 8 | 8 | 25 | 30 | 30 |
| CE | 12 | 14 | 14 | 14 | 20 | 20 | 25 | 30 | 30 |
| CJ | 13 | 13 | 15 | 15 | 21 | 21 | 25 | 30 | 30 |
| CP | 16 | 20.5 | 20.3 | 20.3 | 32.3 | 32.3 | 70 | 90 | 90 |
| CT | 32 | 44 | 52 | 52 | 64 | 64 | 120 | 160 | 160 |
| PAI | 41 | 51.8 | 60.3 | 60.3 | 73.8 | 73.8 | 130 | 170 | 170 |
| PBI | 33.5 | 45.8 | 54 | 54 | 65.5 | 65.5 | 121.5 | 161.5 | 161.5 |
| S | 48 | 50 | 62 | 75 | 94 | 94 | 140 | 180 | 220 |
| T | 33 | 37 | 47 | 56 | 70 | 70 | 110 | 140 | 175 |

Note: CA and CB From 32-100, we can supply two kinds of materials products: 1. Iron 2. Aluminum. When placing order, please indicate product material. From 125-200 are all iron.

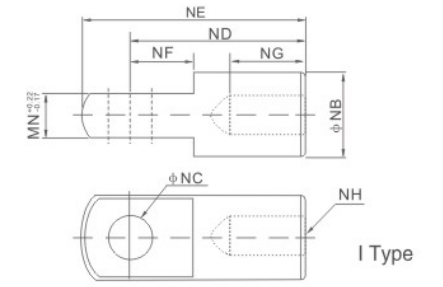
Standard Cylinder Accessories



Y+Pin Type Joint



Y Type



I Type

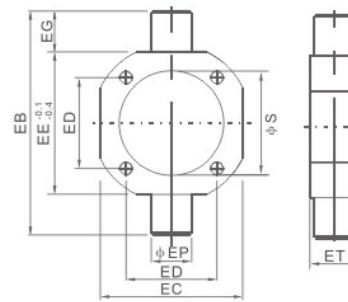
| Symbol/Bore | 32 | 40 | 50 | 63 | 80 | 100 | 125 | 160 | 200 |
|-------------|----------|----------|---------|---------|---------|---------|-------|-------|-------|
| NA | 19 | 25.4 | 32 | 32 | 44.4 | 44.4 | 64 | 80 | 80 |
| NB | 20 | 24 | 32 | 32 | 40 | 40 | 45 | 54 | 54 |
| NC | 10 | 12 | 16 | 16 | 20 | 20 | 20 | 30 | 30 |
| ND | 40 | 48 | 64 | 64 | 80 | 80 | 102 | 120 | 120 |
| NE | 52 | 67 | 89 | 89 | 112 | 112 | 121 | 130 | 130 |
| NF | 15 | 24 | 32 | 32 | 40 | 40 | 52 | 35 | 35 |
| NG | 20 | 20 | 23 | 23 | 30 | 30 | 56 | 50 | 50 |
| NH | M10×1.25 | M12×1.25 | M16×1.5 | M16×1.5 | M20×1.5 | M20×1.5 | M27×2 | M36×2 | M36×2 |
| NJ | 12 | 20 | 22 | 22 | 30 | 30 | 27 | 40 | 40 |
| NK | 18 | 23 | 30 | 30 | 39 | 39 | 38 | 54 | 54 |
| NM | 10 | 12 | 16 | 16 | 20 | 20 | 32 | 40 | 40 |
| MP | 20 | 24 | 32 | 32 | 40 | 40 | 35 | 35 | 35 |
| NQ | 52 | 62 | 83 | 83 | 105 | 105 | 122 | 150 | 150 |
| PA | 25 | 32.8 | 39.3 | 39.3 | 53.3 | 53.3 | 74 | 91 | 91 |
| PB | 19.5 | 26.5 | 33 | 33 | 45 | 45 | 63.5 | 81 | 81 |



I Type Joint



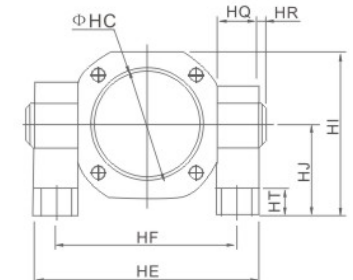
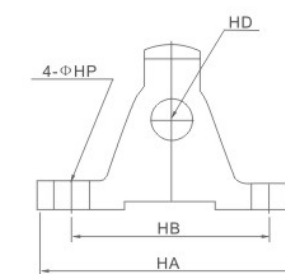
TC Type



| Symbol/Bore | 32 | 40 | 50 | 63 | 80 | 100 | 125 | 160 | 200 |
|-------------|-------|------|------|------|------|-------|-------|-------|-------|
| EB | 88.5 | 113 | 126 | 138 | 164 | 182 | 210 | 264 | 320 |
| EC | 52 | 63 | 76 | 88 | 114 | 132 | 160 | 200 | 248 |
| ED | 33 | 37 | 47 | 56 | 70 | 84 | 110 | 140 | 175 |
| EE | 55 | 63 | 76 | 88 | 114 | 132 | 160 | 200 | 248 |
| EG | 16.75 | 25 | 25 | 25 | 25 | 25 | 25 | 32 | 36 |
| EP | 16 | 25 | 25 | 25 | 25 | 25 | 25 | 32 | 32 |
| ET | 30 | 30 | 30 | 30 | 30 | 35 | 35 | 41 | 49 |
| S | 37.5 | 45.5 | 56.5 | 68.5 | 87.5 | 107.5 | 134.5 | 172.5 | 219.5 |



TC-M Type



| Symbol/Bore | HA | HB | HC | HD | HE | HF | HI | HJ | HQ | HR | HT | HP |
|-------------|-----|----|-------|----|-----|-----|------|----|----|----|----|----|
| 40 | 110 | 80 | 45.5 | 22 | 109 | 86 | 81.5 | 50 | 23 | 2 | 12 | 12 |
| 50 | 110 | 80 | 55.5 | 22 | 122 | 99 | 88 | 50 | 23 | 2 | 12 | 12 |
| 63 | 110 | 80 | 68.5 | 22 | 134 | 111 | 94 | 50 | 23 | 2 | 12 | 12 |
| 80 | 120 | 85 | 87.5 | 22 | 160 | 137 | 127 | 70 | 23 | 2 | 14 | 14 |
| 100 | 120 | 85 | 107.5 | 22 | 178 | 155 | 136 | 70 | 23 | 2 | 14 | 14 |