

XOFR Series Filter & Regulator



XOFR-MINI

Filter and pressure regulator combine a single unit, and cleans the compressed air of fluid oil, condensation and dirt particles. For special application, the standard 40µm filter element may easily be replaced by a 5µm filter element.

The XOR maintain in putting constant operating pressure despite fluctuation in line pressure and the amount of air consumed.

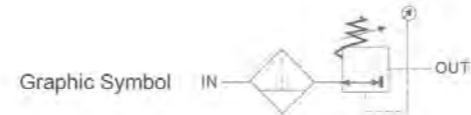
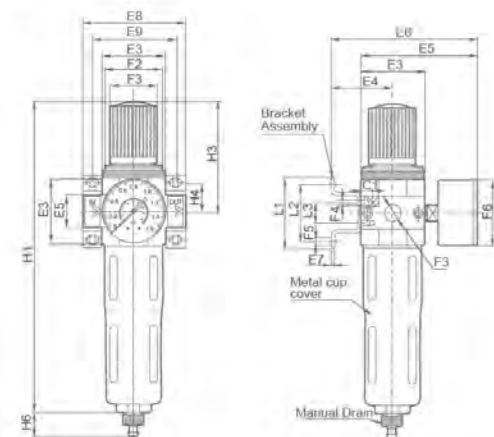
Ordering Code

| | | | | | | |
|---------------|----------------------|----------------------|---|--------------------------------|-----------------------|--|
| XO | FR | MINI | 1/4 | □ | □ | □ |
| Series | Function code | Body | Port Size | Grade of Filtration | Manometer | Drain Type |
| XO Series | Filter&Regulator | MINI MIDI MAXI | G1/8" G1/2" G1/4" G3/4" G3/8" G1" | Blank:40µm 7:7bar 5M:5µm | Blank:12bar 7:7bar | Blank: Turnd Manually S: Half-Auto Drain Type A: Auto Drain Type |

Specification

| Model | MINI | MIDI | MAXI |
|-----------------------------|---|------------------|--------------------|
| Working pressure:12bar,40µm | XOFR-1/8-MINI | XOFR-1/4-MINI | XOFR-3/8-MINI |
| Working pressure:7bar,40µm | XOFR-1/8-7-MINI | XOFR-1/4-7-MINI | XOFR-3/8-7-MINI |
| Working pressure:12bar,5µm | XOFR-1/8-5M-MINI | XOFR-1/4-5M-MINI | XOFR-3/8-5M-MINI |
| Manometer | OMA-40-16-1/8 | OMA-50-16-1/4 | OMA-50-10-1/4 |
| Medium | Compressed air | | |
| Features of structure | Sintered filter with water separator;MINI/MIDI:MAXI:Piston regulator; | | |
| Mounting type | Pipe mounting or foot mounting | | |
| Assembly position | Vertical ±5° | | |
| Connection | G1/8" | G1/4" | G3/8" |
| Standard nominal flow rate | 750 | 1400 | 1600 |
| Primary pressure | 1~16bar | 1.5~12bar | 0.5~12bar/0.5~7bar |
| Grade of filtration | 40µm/5µm | | |
| Max. Condensate Capacity | 22ml | 43ml | 80ml |
| Temperature range | 0~60°C | | |
| Materials information | Housing:Zinc die-casting;Filter bowl: PC;Metal bowl guard:Aluminum alloy;Sealing:NBR;Adjusting knob:POM | | |

Overall Dimensions



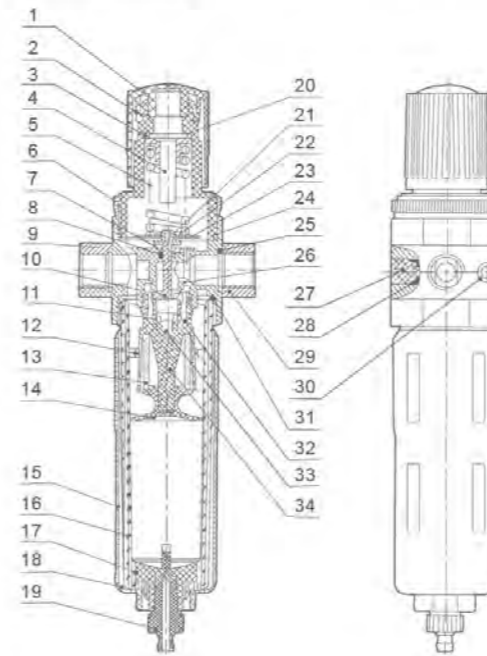
Dimension Sheet

| Model | E3 | E4 | E5 | E6 | E8 | E9 | F1 | F2 |
|---------------|----|----|-----|-----|-----|----|-------------------|---------|
| XOFR-...-MINI | 40 | 39 | 76 | 95 | 64 | 52 | G1/8",G1/4",G3/8" | M36×1.5 |
| XOFR-...-MIDI | 55 | 47 | 93 | 112 | 85 | 70 | G3/8",G1/2",G3/4" | M52×1.5 |
| XOFR-...-MAXI | 66 | 53 | 104 | 124 | 116 | 91 | G3/4",G1" | M52×1.5 |

| Model | F3Φ | F4 | F5Φ | F6Φ | L1 | L2 | L3 | H1 | H3 | H4 | H5 | H6 |
|---------------|-----|----|-----|-----|----|----|----|-----|----|------|-------|----|
| XOFR-...-MINI | 31 | M4 | 4.5 | 41 | 44 | 35 | 11 | 194 | 69 | 17.5 | 20 | 15 |
| XOFR-...-MIDI | 50 | M5 | 5.5 | 52 | 73 | 60 | 22 | 250 | 98 | 24.5 | 32 | 15 |
| XOFR-...-MAXI | 50 | M5 | 5.5 | 53 | 73 | 60 | 22 | 272 | 80 | 24.5 | 32.40 | 15 |

XOFR Series Filter & Regulator

Internal structure



| No | Name | Material | No | Name | Material |
|----|----------------------|----------------|----|-----------------------|------------------|
| 1 | Pressure knob | POM | 18 | Inner joint | POM |
| 2 | Regulator cap | POM | 19 | Condensate drain | POM |
| 3 | Regulator nut | S35C | 20 | Wearing sheet | Insulation sheet |
| 4 | Adjusting spindle | S35C | 21 | OR Sheet | NBR |
| 5 | Pressure spring | SWC | 22 | Overflow base | 6061-T6 |
| 6 | Fixed ring | 6061-T6 | 23 | One part of diaphragm | SPCC |
| 7 | One part of membrane | PA6+G15 | 24 | Diaphragm | NBR+Nylon Mesh |
| 8 | O-ring | NBR | 25 | O-ring | NBR |
| 9 | Flange-IN | Zinc alloy | 26 | OR Body | Zinc alloy |
| 10 | Spool | Brass | 27 | Plug | POM |
| 11 | O-ring | NBR | 28 | O-ring | NBR |
| 12 | Whirl wind impeller | POM | 29 | Flange-OUT | Zinc alloy |
| 13 | Filter element | PE | 30 | Allen screw | S35C |
| 14 | Manger | POM | 31 | O-ring | NBR |
| 15 | Metal bowl guard | Aluminum alloy | 32 | Spring | SWPB |
| 16 | Filter bowl | PC | 33 | Fasteners | Brass |
| 17 | O-ring | NBR | 34 | Filter element base | POM |

Flow diagram

Standard flow rate qn as a function of the output pressure p2

