

XOL Series Lubricator



XOL-MINI

The direct constant-density lubricator add regulatd quantity oil to the compressed air. A valve maintains oil mist content proportional to the compressed oil flow.

The pressure drop that occurs when the air flow through a sight feed oil cup delives oil from the bowl to the sight oil indicator. The drop of the oil flows into the air channel when it is atomized.

The oil drop rate is controlled by means of the regulating screw. Normally, 1 to 12 drops/1000L of the air is sufficient.

Ordering Code

XO — **L** — **MINI** — **1/4**

Series
XO Series

Function code
Lubricator

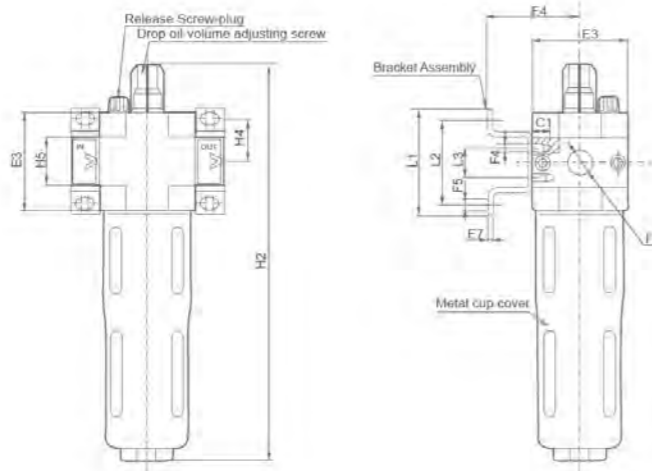
Body
MINI
MIDI
MAXI

Port Size
G1/8" G1/2"
G1/4" G3/4"
G3/8" G1"

Specification

| Model | MINI | | | MIDI | | | MAXI | |
|---------------------------------|--|--------------|--------------|--------------|--------------|--------------|--------------|------------|
| | XOL-1/8-MINI | XOL-1/4-MINI | XOL-3/8-MINI | XOL-3/8-MIDI | XOL-1/2-MIDI | XOL-3/4-MIDI | XOL-3/4-MAXI | XOL-1-MAXI |
| Medium | Compressed air | | | | | | | |
| Features of structure | Sintered filter with water spartor The direct Constant-density Lubricator | | | | | | | |
| Mounting type | Pipe mounting or foot mounting | | | | | | | |
| Assembly position | Vertical ±5° | | | | | | | |
| Connection | G1/8" | G1/4" | G3/8" | G3/8" | G1/2" | G3/4" | G3/4" | G1" |
| Standard nominal flow rate | 1300 | 2300 | 2700 | 5500 | 6100 | 6300 | 8400 | 9000 |
| Max. Working pressure | 16bar | | | | | | | |
| Min. Standard nominal flow rate | 3 L/min | | | 6 L/min | | | 10 L/min | |
| Max. condensate capacity | 22ml | | | 43ml | | | 80ml | |
| Temperature range | 0~60 °C | | | | | | | |
| Materials information | Housing: Zinc die-casting, Oil bowl and Drop cap :PC, Metal bowl guard: Aluminum alloy, Sealing: NBR | | | | | | | |
| Recommended oil | ISO VG 32 or the same grade | | | | | | | |

Overall Dimensions



Graphic Symbol

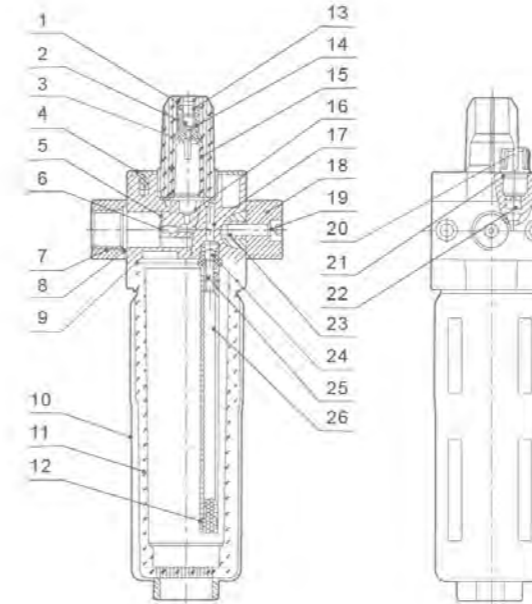


Dimension Sheet

| Model | E3 | E4 | E7 | F1 | F4 | F5φ | L1 | L2 | L3 | H2 | H4 | H5 |
|--------------|----|----|----|---------------------|----|-----|----|----|----|-----|------|-------|
| XOL-...-MINI | 40 | 39 | 2 | G1/8", G1/4", G3/8" | M4 | 4.5 | 44 | 35 | 11 | 169 | 17.5 | 20 |
| XOL-...-MIDI | 55 | 47 | 3 | G3/8", G1/2", G3/4" | M5 | 5.5 | 73 | 60 | 22 | 206 | 30 | 32 |
| XOL-...-MAXI | 66 | 53 | 3 | G3/4", G1" | M5 | 5.5 | 73 | 60 | 22 | 226 | 30 | 32,40 |

XOL Series Lubricator

Internal structure



| No | Name | Material |
|----|--------------------------|-----------------------|
| 1 | Upper glass | PC |
| 2 | Adjust screw | Brass |
| 3 | O-ring | NBR |
| 4 | Ornament cover(circular) | PO |
| 5 | Windshield chip | NBR |
| 6 | Windshield base | Brass |
| 7 | Flange-IN | Zinc alloy |
| 8 | O-ring | NBR |
| 9 | O-ring | NBR |
| 10 | Metal bowl guard | Aluminum alloy |
| 11 | Lubricator bowl | PC |
| 12 | Oil-filter plup. | Brass powder sintered |
| 13 | O-ring | NBR |
| 14 | Screw base | Brass |
| 15 | Oil dropping | PC |
| 16 | Seal piece | NBR |
| 17 | OL Body | Zinc alloy |
| 18 | Flange-OUT | Zinc alloy |
| 19 | Allen screw | S35C |
| 20 | Bleeder screw | POM |
| 21 | O-ring | NBR |
| 22 | Valve pin | Brass |
| 23 | Double-end bolt | SUS |
| 24 | Steel ball | SUS304 |
| 25 | Oil tube connection | POM |
| 26 | Oil tube | PU |

Flow diagram

Standard flow rate qn as a function of the output pressure p2

