

XMAW 2000~5000 Series Filter & Regulator



Ordering Code

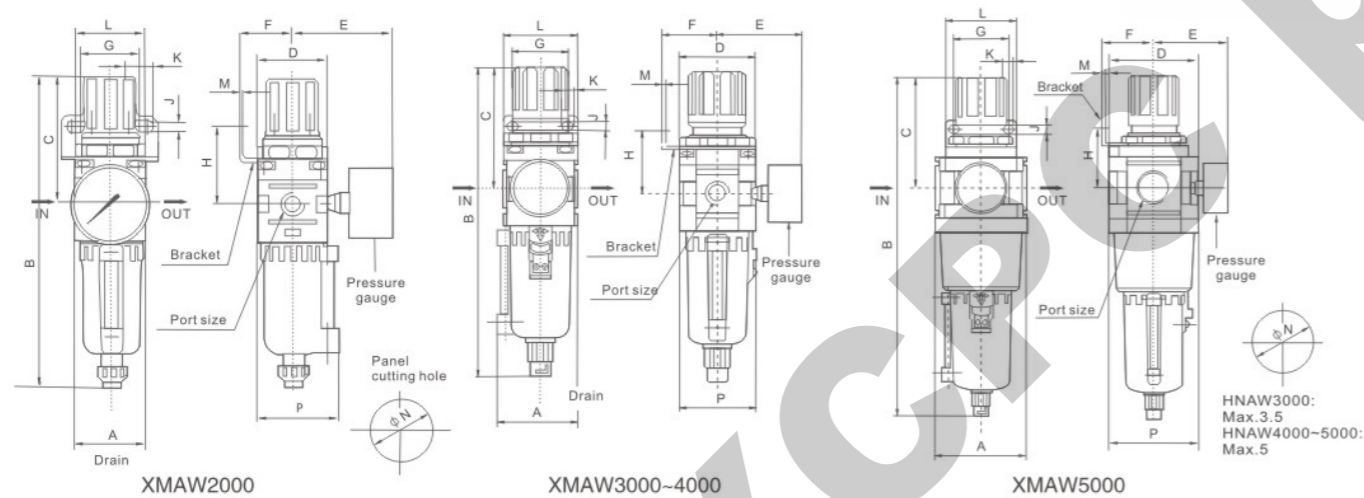
XMA	W	3000	04	<input type="checkbox"/>
Series XMA series	Function code Filter&Regulator	Specification Code 2000 3000 4000 5000	Port Size 01:G1/8" 02:G1/4" 03:G3/8" 04:G1/2" 06:G3/4" 10:G1"	Drain Type Blank:Manual D:Auto Drain Type (Available for 3000 or above)

XMAW4000-04 XMAW2000-02

Specification

Model	XMAW2000-01	XMAW2000-02	XMAW3000-02	XMAW3000-03	XMAW4000-03	XMAW4000-04	XMAW4000-06	XMAW5000-06	XMAW5000-10
Ensured Pressure Resistance	1.5MPa(15kgf/cm ²)								
Highest Working Pressure	1.0MPa(10kgf/cm ²)								
Operating Temperature Range	5~60°C								
Filter Precision	25 μ & 5 μ & 50 μ								
Container Material	Aluminum Die Casting								
Pressure Regulating Range	0.05~0.85MPa(0.5~0.85kgf/cm ²)								
Valve Type	With Overflow								
Rated Flow(L/min)	550	2000	4000	4500	5500				
Port Size(G)	1/8"	1/4"	1/4"	3/8"	3/8"	1/2"	3/4"	3/4"	1"
Pressure Gauge Size	1/8	1/8	1/4	1/4					

Overall Dimensions



Dimension Sheet

Model	Port Size(G)	A	B	C	D	E	F	G	H	J	K	L	M	P
XMAW2000	G1/8"-G1/4"	40	186.5	78	40	56.8	30	34	43.5	5.4	15.4	55	2.3	46
XMAW3000	G1/4"-G3/8"	57.5	232.5	92.5	53	60.8	39	40	46	6.5	8	53	2.3	55
XMAW4000	G1/2"	74	278	112	70	70.5	49.2	54	53.5	8.5	10.5	70	2.3	72.5
XMAW4000-06	G3/4"	76.5	282	114	70	70.5	49.2	54	55.5	8.5	10.5	70	2.3	72.5
XMAW5000	G3/4"-G1"	90	355	116	90	75.5	49.2	54	62	8.5	10.5	70	2.3	90

XMAF 2000~5000 Series Air Filter



Ordering Code

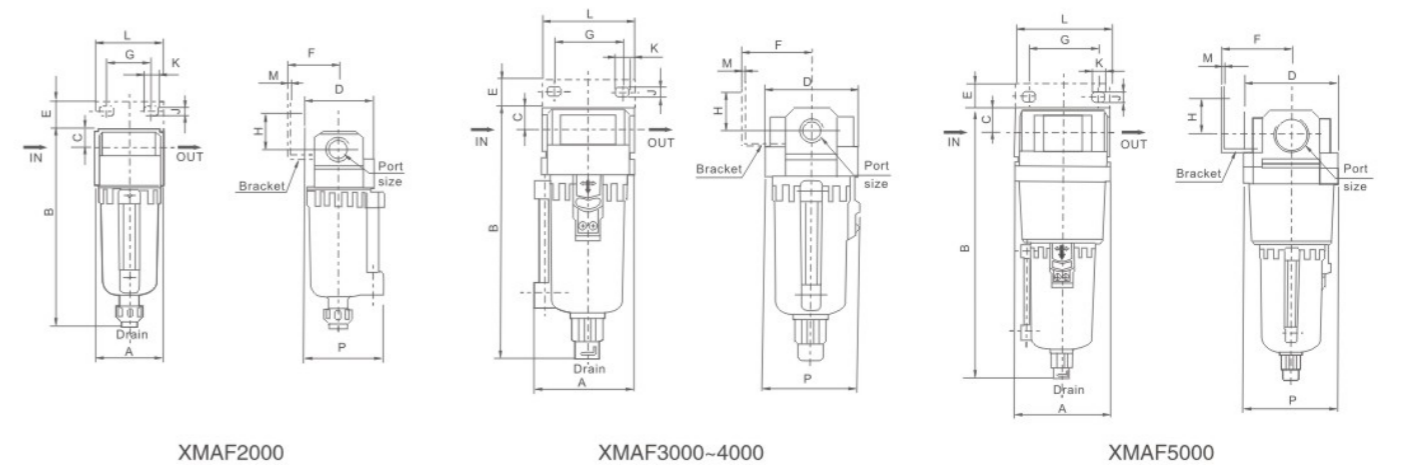
XMA	F	3000	04	<input type="checkbox"/>
Series XMA series	Function code Filter	Specification Code 2000 3000 4000 5000	Port Size 01:G1/8" 02:G1/4" 03:G3/8" 04:G1/2" 06:G3/4" 10:G1"	Drain Type Blank:Manual D:Auto Drain Type (Available for 3000 or above)

XMAF4000-04 XMAF2000-02

Specification

Model	XMAF2000-01	XMAF2000-02	XMAF3000-02	XMAF3000-03	XMAF4000-03	XMAF4000-04	XMAF4000-06	XMAF5000-06	XMAF5000-10
Ensured Pressure Resistance	1.5MPa(15kgf/cm ²)								
Highest Working Pressure	1.0MPa(10kgf/cm ²)								
Operating Temperature Range	5~60°C								
Filter Precision	25 μ & 5 μ & 50 μ								
Container Material	Aluminum Die Casting								
Rated Flow(L/min)	750	1500	4000	6000	7000				
Port Size(G)	1/8"	1/4"	1/4"	3/8"	3/8"	1/2"	3/4"	3/4"	1"
Bowl Capacity	15	20	45	45	130				

Overall Dimensions



Dimension Sheet

Model	Port Size(G)	A	B	C	D	F	G	H	J	K	L	M	P
XMAF2000	G1/8"-G1/4"	40	119.5	11	40	17	27	22	5.4	8.4	40	2.3	46
XMAF3000	G1/4"-G3/8"	57.4	154	14	53	16	40	23	6.5	8	53	2.3	55
XMAF4000	G1/2"	74	184	18	70	17	54	26	8.5	10.5	70	2.3	72.5
XMAF4000-06	G3/4"	76.5	188	20	70	14	54	25	8.5	10.5	70	2.3	72.5
XMAF5000	G3/4"-G1"	90	263	24	90	23	66	35	11	13	90	3.2	90