

XMAL 2000~5000 Series Lubricator



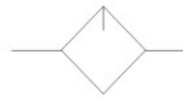
XMAL4000-04 XMAL2000-02

Ordering Code

XMA **L** **3000** **04**

Series: XMA series
 Function code: Lubricator
 Specification Code: 2000, 3000, 4000, 5000
 Port Size: 01:G1/8", 02:G1/4", 03:G3/8", 04:G1/2", 06:G3/4", 10:G1"

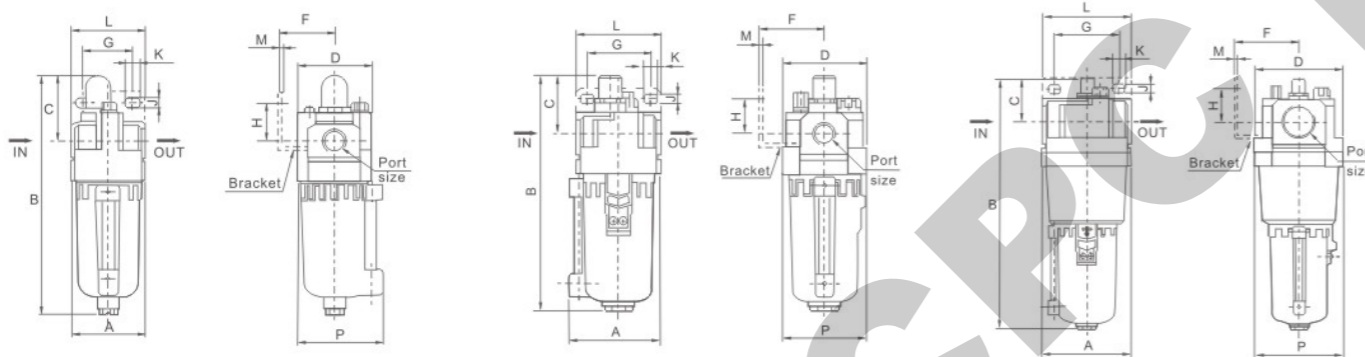
Graphic Symbol



Specification

Model	XMAL2000-01	XMAL2000-02	XMAL3000-02	XMAL3000-03	XMAL4000-03	XMAL4000-04	XMAL4000-06	XMAL5000-06	XMAL5000-10
Ensured Pressure Resistance	1.5MPa(15kgf/cm ²)								
Highest Working Pressure	1.0MPa(10kgf/cm ²)								
Operating Temperature Range	5~60°C								
Recommended Oil Use	Turbine NO.1 Oil ISOVG32								
Container Material	Aluminum Die Casting								
Minimal Flow of Oil Drop(L/min)	15	30	40	40	50	50	190		
Rated Flow(L/min)	800	1700			5000	6300	7000		
Port Size(G)	1/8"	1/4"	1/4"	3/8"	3/8"	1/2"	3/4"	3/4"	1"
Bowl Capacity	25	50			130	130	130		

Overall Dimensions



XMAL2000

XMAL3000~4000

XMAL5000

Dimension Sheet

Model	Port Size(G)	A	B	C	D	F	G	H	J	K	L	M	P
XMAL2000	G1/8"-G1/4"	40	137	39	50	30	27	22	5.4	8.4	40	2.3	40
XMAL3000	G1/4"-G3/8"	57.4	154.5	39	53	41	40	23	6.5	8	53	2.3	55
XMAL4000	G1/2"	74	185.5	41	70	50	54	26	8.5	10.5	70	2.3	72.5
XMAL4000-06	G3/4"	76.5	185.5	39	70	50	54	25	8.5	10.5	70	2.3	72.5
XMAL5000	G3/4"-G1"	90	262.5	45	90	66.5	66	35	11	13	90	3.2	90

AC,BC Series Air Source Treatment Unit(F.R.L Combination)



BC4000

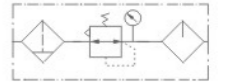
AC2000

Ordering Code

BC **3000** **□**

Series: AC:Small Size, BC:Middle Size
 Port Size: 1500:G1/8", 2000:G1/4", 3000:G3/8", 4000:G1/2"
 Drain Type: Blank:Manual Drain Type, D:Auto Drain Type

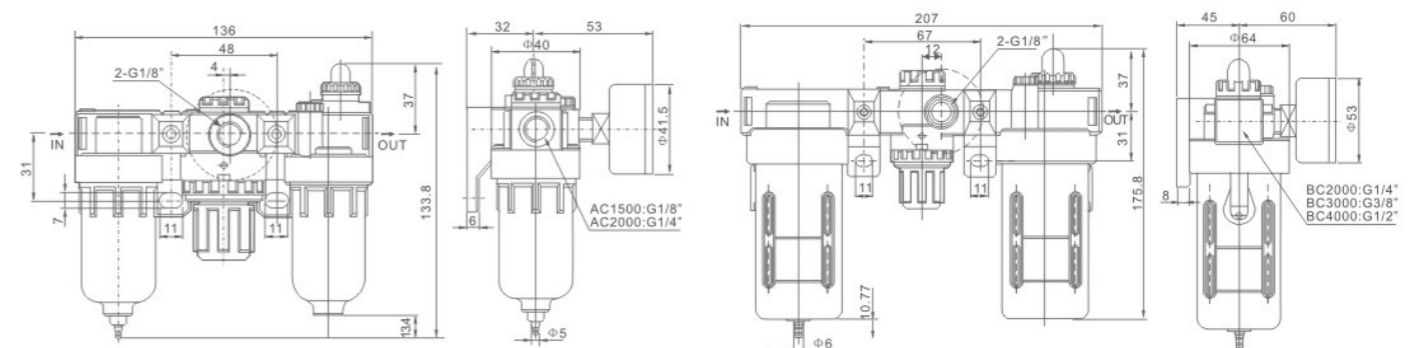
Graphic Symbol



Specification

Model	AC1500	AC2000	BC2000	BC3000	BC4000	
Operating Fluid	Air					
Port Size	G1/8"	G1/4"	G1/4"	G3/8"	G1/2"	
Filtering Element Reughness	40 μ					
Range of Adjustable Pressure	0.05~0.85MPa					
Max Adjustable Pressure	0.95MPa					
Ensured Pressure Resistance	1.5MPa					
Operating Temperature Range	5~60°C					
Capacity of Filter Cup	15 cc			60 cc		
Capacity of Oil Feed Cup	25 cc			90 cc		
Suggested Lube	ISO VG 32 or Same Grade Oil					
Weight Body	Aluminum Die-casting Forming					
Material	Container Cup: PE, Protective Cup Cover: Iron					
Composing Elements	Filter	AF1500	AF2000	BF2000	BF3000	BF4000
	Regulator	AR1500	AR2000	BR2000	BR3000	BR4000
	Lubricator	AL1500	AL2000	BL2000	BL3000	BL4000

Overall Dimensions



AC Series

BC Series