

AFC,BFC Series Air Source Treatment Unit(FR.L Combination)



BFC4000

AFC2000

Ordering Code

BFC

Series

AFC:Small Size
BFC:Middle Size

3000

Port Size

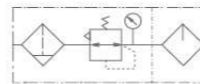
1500:G1/8"
2000:G1/4"
3000:G3/8"
4000:G1/2"

□

Drain Type

Blank:Manual Drain Type
D:Auto Drain Type

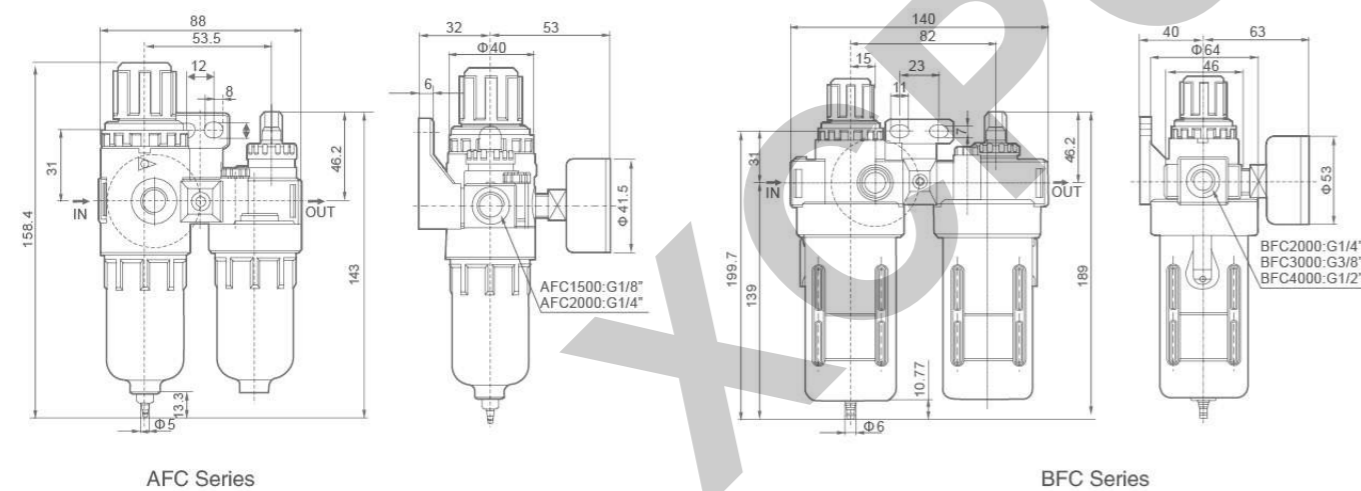
Graphic Symbol



Specification

Model	AFC1500	AFC2000	BFC2000	BFC3000	BFC4000	
Operating Fluid	Air					
Port Size	G1/8"	G1/4"	G1/4"	G3/8"	G1/2"	
Filtering Element Reughness	40μ					
Range of Adjustable Pressure	0.05~0.85MPa					
Max Adjustable Pressure	0.95MPa					
Ensured Pressure Resistance	1.5MPa					
Operating Temperature Range	5~60℃					
Capacity of Filter Cup	15 cc			60 cc		
Capacity of Oil Feed Cup	25 cc			90 cc		
Suggested Lube	ISO VG 32 or Same Grade Oil					
Material	Body: Aluminum Die-casting Forming Container Cup: PE Protective Cup Cover: Iron					
Composing Elements	Fitter & Regulator	AFR1500	AFR2000	BFR2000	BFR3000	BFR4000
	Lubricator	AL1500	AL2000	BL2000	BL3000	BL4000

Overall Dimensions



AFR,BFR Series Filter&Regulator



BFR4000

AFR2000

Ordering Code

BFR

Series

AC:Small Size
BC:Middle Size

3000

Port Size

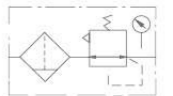
1500:G1/8"
2000:G1/4"
3000:G3/8"
4000:G1/2"

□

Drain Type

Blank:Manual Drain Type
D:Auto Drain Type

Graphic Symbol



Specification

Model	AFR1500	AFR2000	BFR2000	BFR3000	BFR4000
Operating Fluid	Air				
Port Size	G1/8"	G1/4"	G1/4"	G3/8"	G1/2"
Range of Adjustable Pressure	0.05~0.85MPa				
Max Adjustable Pressure	0.95MPa				
Ensured Pressure Resistance	1.5MPa				
Operating Temperature Range	5~60℃				
Capacity of Filter Cup	15 cc			60 cc	
Material	Body: Aluminum Die-casting Forming Container Cup: PE Protective Cup Cover: Iron				

Overall Dimensions

