

H Series High Pressure Filter & Regulator



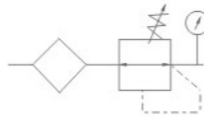
Ordering Code

QFRH — **15**

High pressure Filter & Regulator

Connection
8:G1/4" 10:G3/8"
15:G1/2" 20:G3/4"
25:G1"

Graphic Symbol



Specification

Operating Fluid	Air
Filtering Element Roughness	20µm or 40µm
Range of Adjustable Pressure	0.15~3.5MPa
Max. Input pressure	4MPa
Operating Temperature Range	5~80°C

H Series High Pressure Regulator



Ordering Code

QTYH — **15**

High pressure Regulator

Connection
8:G1/4" 10:G3/8"
15:G1/2" 20:G3/4"
25:G1"

Graphic Symbol



Specification

Operating Fluid	Air
Range of Adjustable Pressure	0.05~3.5MPa
Max. Input pressure	4MPa
Operating Temperature Range	-25~80°C

H Series High Pressure Filter



Ordering Code

QSLH — **15**

High Pressure Filter

Port Size
8:G1/4"
10:G3/8"
15:G1/2"
20:G3/4"
25:G1"

Graphic Symbol



Specification

Operating Fluid	Air
Filtering Element Roughness	20µm or 40µm
Working of Adjustable Pressure	0.15~3.5MPa
Max. Input pressure	4MPa
Operating Temperature Range	-25~80°C

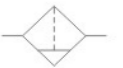
PIR Series Precision Regulator



Port Size G1/8",G1/4",G3/8"
Standard Type, Auto Drain Type and Metal Cup as Optional.

Designed to be compact and light weight with high output flow and precise setting pressure, Can be mounted easily with bracket or assemble with XA series F.R.L.

Graphic Symbol



Ordering Code

PIR — **20** — **00** — **02**

Series
PIR series

Valve Body Size
10
20
30

Pressure Range
00(0.005~0.2Mpa)
10(0.05~0.4Mpa)
20(0.01~0.8Mpa)

Port Size
01:G1/8"
02:G1/4"
03:G3/8"
04:G1/2"

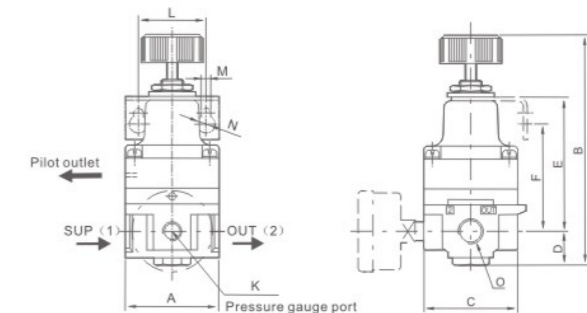
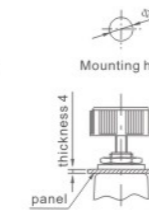
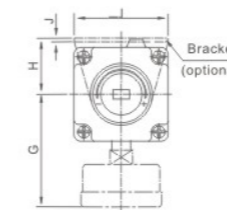
Order Example

- 1):PIR Series, Valve Body: 20, Port Size: G1/4, Pressure Range: 10, Model: PIR-2010-02
- 1):PIR Series, Valve Body: 30, Port Size: G1/2, Pressure Range: 20, Model: PIR-3010-04

Specification

Specification	PIR1000-01	PIR1010-01	PIR1020-01	PIR2000-02	PIR2010-02	PIR2020-02	PIR3000-03/04	PIR3010-03/04	PIR3020-03/04
Pressure Range	0.005~0.2	0.01~0.4	0.01~0.8	0.005~0.2	0.01~0.2	0.01~0.8	0.01~0.2	0.01~0.4	0.01~0.8
Port Size	G1/8			G1/4			G3/8, G1/2		
Air consumption	Max 3.5L/min			Max 3.1L/min			Max 9.5L/min	Outlet: Max 2L/min	
Minimum pressure	Setting pressure+0.05			Setting pressure+0.05			Setting pressure+0.05		
Maximum pressure	1.0MPa								
Sensitivity	Within 0.2% of full span								
Repeatability	Within ± 0.5% of full span								
Ambient and Fluid Temperature	-5~+60 (with no freezing)								
Pressure Gauge Port	G1/8								

Overall Dimensions



Dimension Sheet

Model	A	B	C	D	E	F	G	H	I	J	K	L	M	N	O	P
PIR1000-01	35	90	35	10	51	44	43	25	42	2	G1/8	28	4.5	φ 8.5	G1/8	φ 10.5
PIR1010-01	35	90	35	10	51	44	43	25	42	2	G1/8	28	4.5	φ 8.5	G1/8	φ 10.5
PIR1020-01	35	90	35	10	51	44	43	25	42	2	G1/8	28	4.5	φ 8.5	G1/8	φ 10.5
PIR2000-02	50	123	50	18	71	63	60	30	50	2	G1/8	36	5.5	φ 9.5	G1/8	φ 12.5
PIR2010-02	50	123	50	18	71	63	60	30	50	2	G1/8	36	5.5	φ 9.5	G1/8	φ 12.5
PIR2020-02	50	123	50	18	71	63	60	30	50	2	G1/8	36	5.5	φ 9.5	G1/8	φ 12.5
PIR3000-03	66	148	66	22	76	76	68	48	82	2.3	G1/8	60	9	φ 15.5	G3/8	φ 12.5
PIR3010-03	66	148	66	22	76	76	68	48	82	2.3	G1/8	60	9	φ 15.5	G1/2	φ 12.5
PIR3020-03	66	148	66	22	76	76	68	48	82	2.3	G1/8	60	9	φ 15.5		φ 12.5