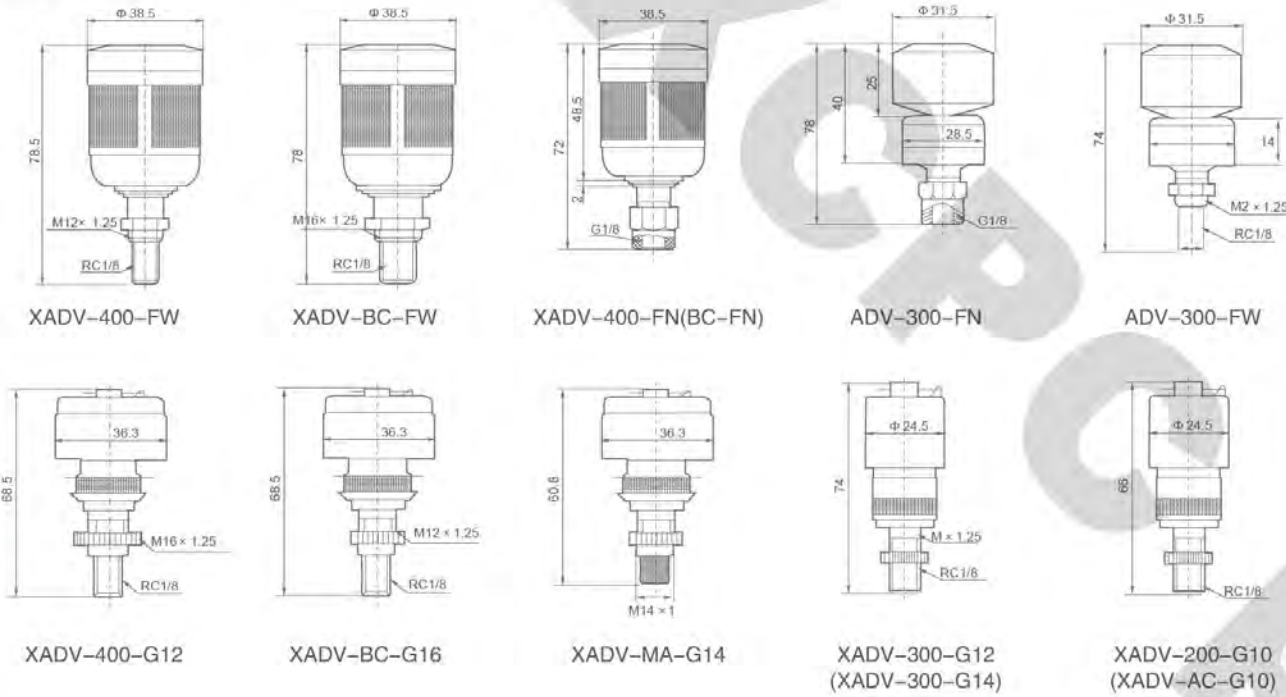


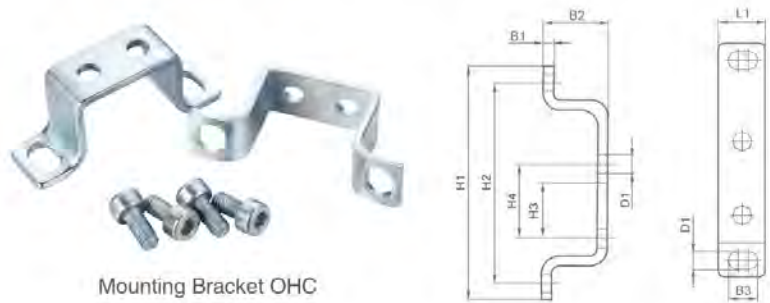
XADV Series Auto Drain

Ordering Code



XADV-400-FW XADV-BC-FW XADV-400-FN(BC-FN) ADV-300-FN ADV-300-FW
 XADV-400-G12 XADV-BC-G16 XADV-MA-G14 XADV-300-G12 (XADV-300-G14) XADV-200-G10 (XADV-AC-G10)

XO Series Air Unit Accessories

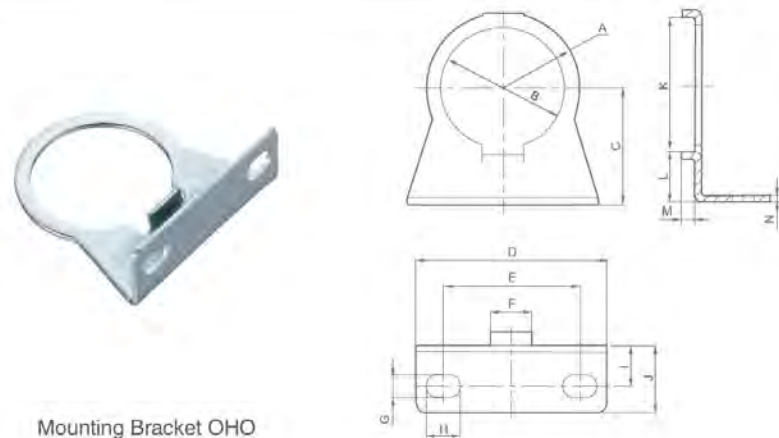


Mounting Bracket OHC

Dimension Sheet

Model	B1	B2	B3	D1	D2
OHC-MINI	2	19	7.3	4.3	43
OHC-MIDI/MAXI	3	19	8.3	5.3	70

Model	H2	H3	H4	L1
OHC-MINI	35	5.5	11	12
OHC-MIDI/MAXI	60	16.5	22	14



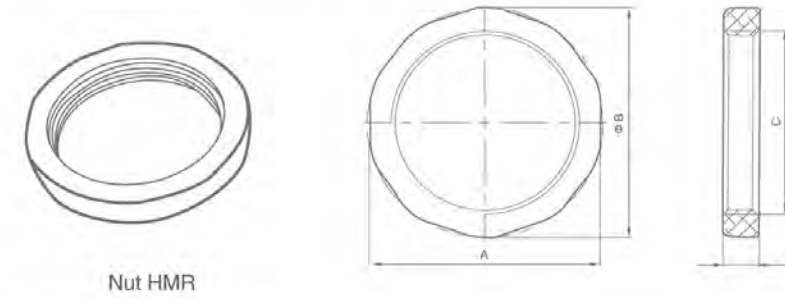
Mounting Bracket OHO

Dimension Sheet

Model	A	B	C	D	E	F	G
OHO-MINI/MAXI	22.5	36.5	35	56	40	12	6.5
OHO-MIDI/MAXI	30	52.5	48	70	53	12	8.5

Model	H	I	J	K	L	M	N
OHO-MINI/MAXI	10	12	20	40.4	15	4	2
OHO-MIDI/MAXI	10.5	17.5	27	55.5	20	4	2

XO Series Air Unit Accessories



Nut HMR

Dimension Sheet

Model	A	B
HMR-MINI/MAXI	44	45
HMR-MIDI	60	62

Model	C	D
HMR-MINI/MAXI	M36x1.5	7
HMR-MIDI	M52x1.5	8



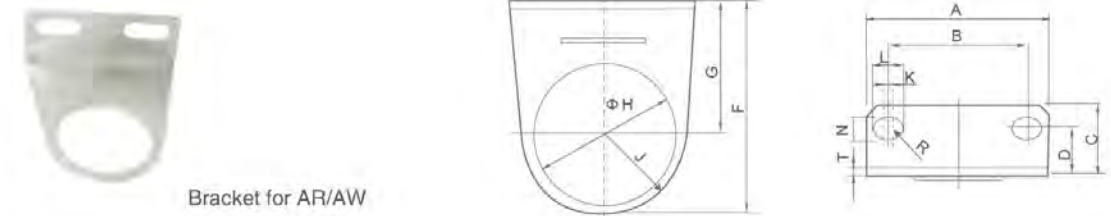
Pressure Gauge OMA

Specification

Model	Nominal size	Pneumatic connection	Indicating range
OMA-10-1/8	40	G1/8	0-10 bar
OMA-16-1/8			0-16 bar
OMA-10-1/4	50	G1/4	0-10 bar
OMA-16-1/4			0-16 bar

The Pressure gauge is used to measure and display the pressure of the control system.

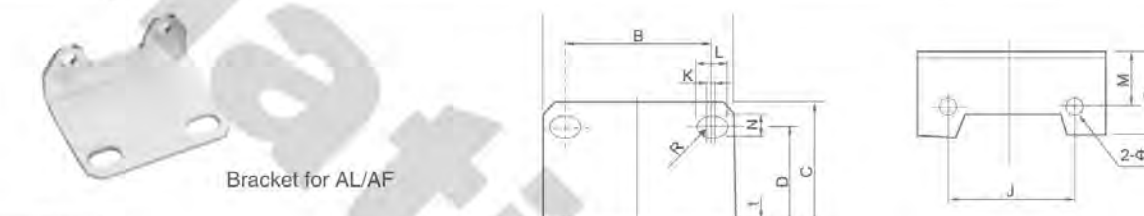
XA Series Air Unit Accessories



Bracket for AR/AW

Dimension Sheet

Model	A	B	C	D	F	G	ΦH	J	K	L	N	R	T	Applicable Model
B120	40	28	17	11	37.8	25	20.5	12.3	2	6.5	4.5	2.25	2	AR/AW1000
B220	55	34	25	19	50	30	33.5	20	10	15.4	5.4	2.7	2.3	AR/AW2000/AR2500
B320	53	40	21.5	14	64	39	42.5	25	1.5	8	6.5	3.25	2.3	AR/AW3000
B420	70	54	27	18	79.2	49.2	52.5	30	2	10.5	8.5	4.26	2.3	AR/AW4000-5000



Bracket for AL/AF

Dimension Sheet

Model	A	B	C	D	F	G	ΦH	J	K	L	N	R	T	Assembly Screw	Applicable Model
B240	40	27	33	27	18	4.5	26	3	8.4	14	5.4	2.7	2.3	M4×8	AF/AL2000
B340	53	40	39	32	22.5	4.5	35	1.5	8	19	6.5	3.25	2.3	M4×8	AF/AL3000
B440	70	54	47	38	31.5	5.5	47	2	10.5	20	8.5	4.25	2.3	M5×10	AF/AL4000
B540	70	54	47	38	27.5	5.5	47	2	10.5	20	8.5	4.25	2.3	M5×10	AF/AL4000-06
B640	90	66	64	52	43	6.5	60	2	13	29	11	5.5	3.2	M6×10	AF/AL5000