

JM Series Mechanical Valve



Ordering Code

JM

Specification Code
Stop-type Mechanical Valve

05

Button Type
05: Selective Knob
06: With Lock Button
06A: Plat Round Button
07: Roller Type

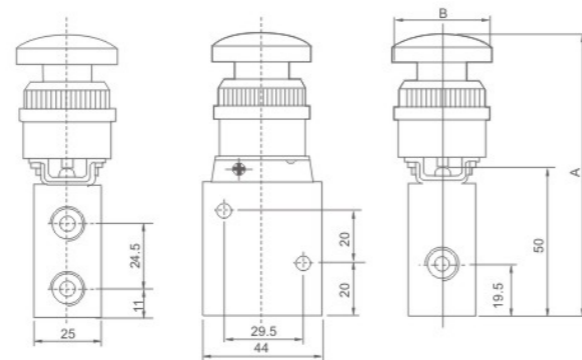
Specification

Model	JM-05	JM-06	JM-06A	JM-07
Working Medium	40 Micron Filtered Air			
Position and Way No.	Two-position Three-way, Two-position Two-way			
Port Size	G1/4"			
Working-pressure Range	0~0.8MPa			
Operating Temperature	0~60°C			

Dimension Sheet

Model	JM-05	JM-06	JM-06A	JM-07
A	114	111	96	84.5
B	36.5	39.5	39.5	42.5

Overall Dimensions



4R Series Hand-draw Valve



Ordering Code

4R

Specification Code
4R: Two-position Five-way Hand-draw Valve
3R: Two-position Three-way Hand-draw Valve

2

Series Code
100 Series
200 Series
300 Series
400 Series

10

Number of Places
10: Single-head Double-position

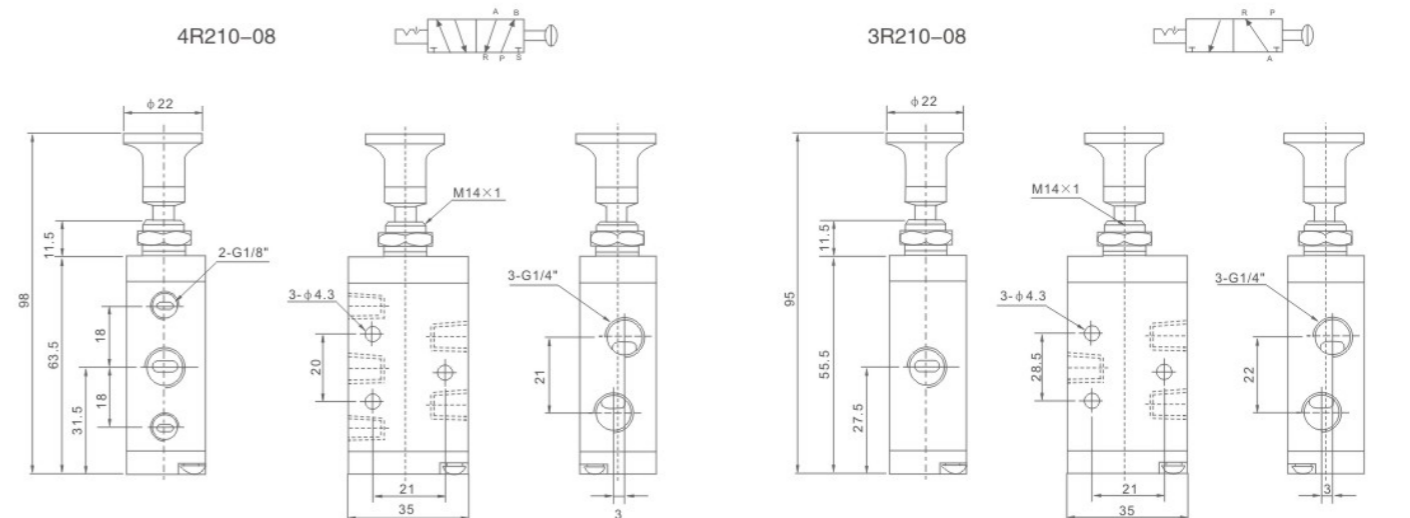
06

Port Size
06: G1/8"
08: G1/4"
10: G3/8"
15: G1/2"

Specification

Model	4R110-06	4R210-08	4R310-10	4R410-15	3R110-06	3R210-08	3R310-10	3R410-15
Working Medium	Compressed Air							
Position and Way No.	Two-position Five-way				Two-position Three-way			
Joint Pipe Bore	G1/8"	G1/4"	G3/8"	G1/2"	G1/8"	G1/4"	G3/8"	G1/2"
Working-pressure Range	0~1.0MPa							
Operating Temperature Range	-5~60°C							
Operating Method	Direct Action Type							
Lubrication	Not Required							

Overall Dimensions



MOV Series Mechanical Valve



Ordering Code

MOV

Specification Code
Machine-Control, Hand-Control Valve

01

Button Type
01: Selective Knob
02: Roller Type
03: With Lock Button
04: Plat Round Button

Specification

Model	MOV-01	MOV-02	MOV-03	MOV-04
Working Medium	Air			
Position and Way No.	Two-position Two-way			
Port Size	G1/8"			
Working-pressure Range	0~0.8MPa			
Operating Temperature	0~70°C			

Overall Dimensions

