

### JM Series Mechanical Valve



Ordering Code

**JM**

**Specification Code**  
Stop-type Mechanical Valve

**05**

**Button Type**  
05: Selective Knob  
06: With Lock Button  
06A: Plat Round Button  
07: Roller Type

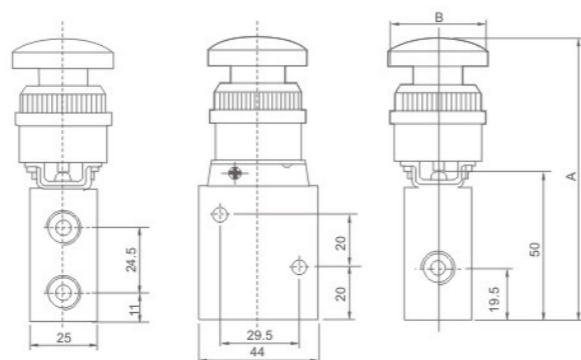
Specification

| Model                  | JM-05  | JM-06 | JM-06A | JM-07 |
|------------------------|--|-------|--------|-------|
| Working Medium         | 40 Micron Filtered Air                       |       |        |       |
| Position and Way No.   | Two-position Three-way, Two-position Two-way |       |        |       |
| Port Size              | G1/4"  |       |        |       |
| Working-pressure Range | 0~0.8MPa                                     |       |        |       |
| Operating Temperature  | 0~60°C                                       |       |        |       |

Dimension Sheet

| Model | JM-05 | JM-06 | JM-06A | JM-07 |
|-------|-------|-------|--------|-------|
| A     | 114   | 111   | 96     | 84.5  |
| B     | 36.5  | 39.5  | 39.5   | 42.5  |

Overall Dimensions



### 4R Series Hand-draw Valve



Ordering Code

**4R**

**Specification Code**  
4R: Two-position Five-way Hand-draw Valve  
3R: Two-position Three-way Hand-draw Valve

**2**

**Series Code**  
100 Series  
200 Series  
300 Series  
400 Series

**10**

**Number of Places**  
10: Single-head Double-position

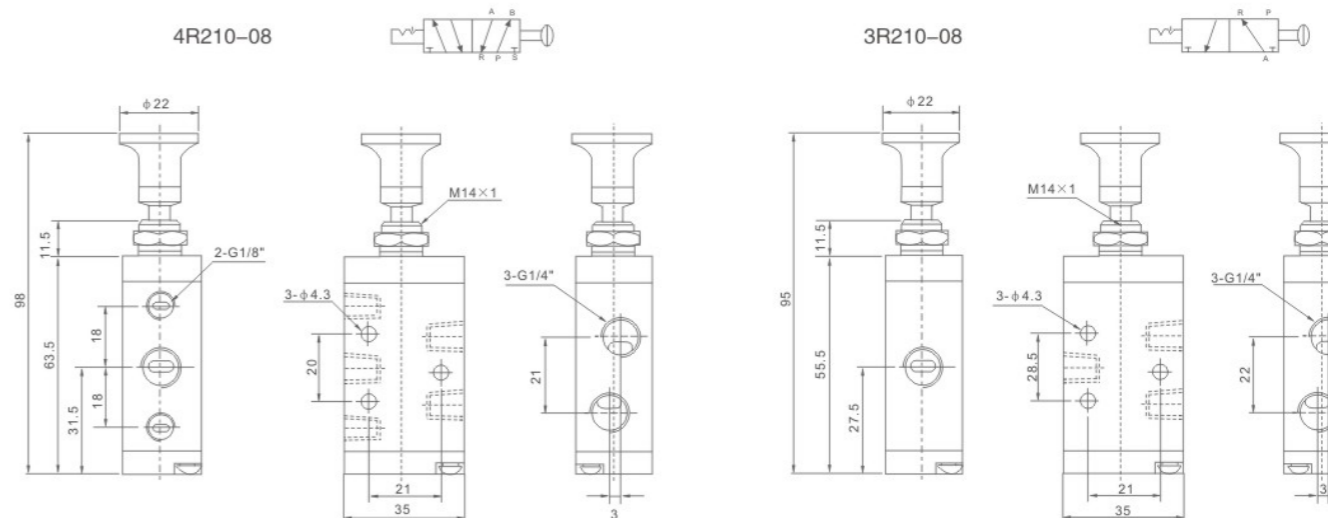
**06**

**Port Size**  
06: G1/8"  
08: G1/4"  
10: G3/8"  
15: G1/2"

Specification

| Model                       | 4R110-06              | 4R210-08 | 4R310-10 | 4R410-15 | 3R110-06               | 3R210-08 | 3R310-10 | 3R410-15 |
|-----------------------------|-----------------------|----------|----------|----------|------------------------|----------|----------|----------|
| Working Medium              | Compressed Air        |          |          |          |                        |          |          |          |
| Position and Way No.        | Two-position Five-way |          |          |          | Two-position Three-way |          |          |          |
| Joint Pipe Bore             | G1/8"                 | G1/4"    | G3/8"    | G1/2"    | G1/8"                  | G1/4"    | G3/8"    | G1/2"    |
| Working-pressure Range      | 0~1.0MPa              |          |          |          |                        |          |          |          |
| Operating Temperature Range | -5~60°C               |          |          |          |                        |          |          |          |
| Operating Method            | Direct Action Type    |          |          |          |                        |          |          |          |
| Lubrication                 | Not Required          |          |          |          |                        |          |          |          |

Overall Dimensions



### MOV Series Mechanical Valve



Ordering Code

**MOV**

**Specification Code**  
Machine-Control, Hand-Control Valve

**01**

**Button Type**  
01: Selective Knob  
02: Roller Type  
03: With Lock Button  
04: Plat Round Button

Specification

| Model                  | MOV-01               | MOV-02 | MOV-03 | MOV-04 |
|------------------------|----------------------|--------|--------|--------|
| Working Medium         | Air                  |        |        |        |
| Position and Way No.   | Two-position Two-way |        |        |        |
| Port Size              | G1/8"                |        |        |        |
| Working-pressure Range | 0~0.8MPa             |        |        |        |
| Operating Temperature  | 0~70°C               |        |        |        |

Overall Dimensions

