

TSV Series Hand-pull Valve



TSV86522-M



TSV98322-M

Ordering Code

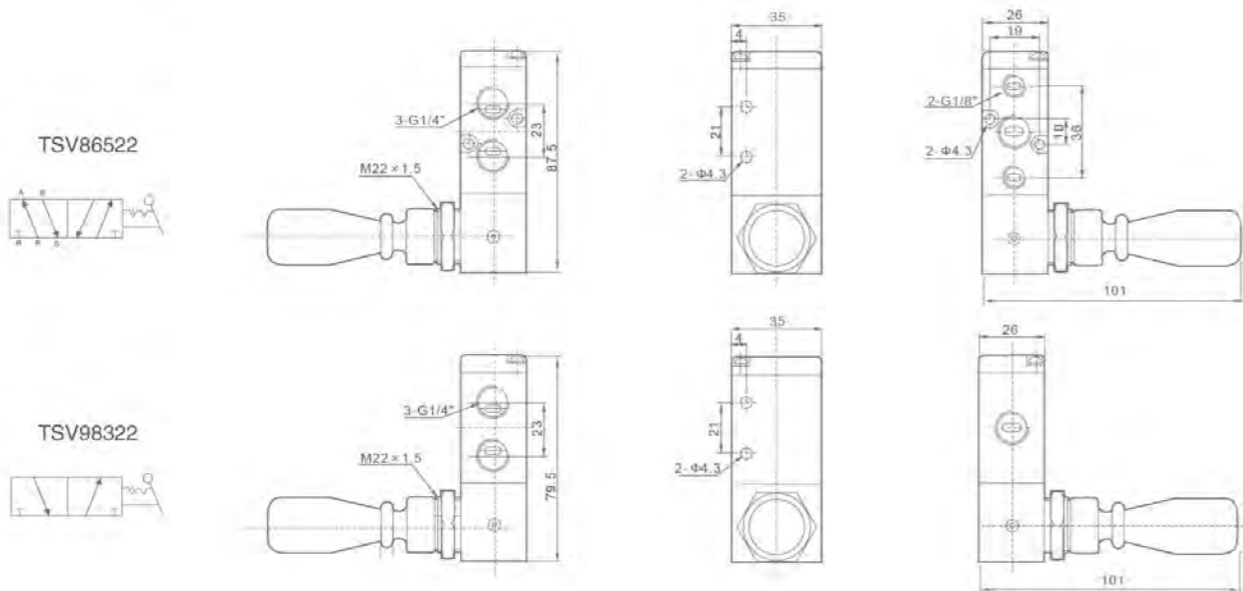
TSV86 | **52** | **2** | **M**
Specification Code Hand-pull Valve
Position and Way NO. Two-position Five-way
Port Size 1:G1/8" 2:G1/4"
Type Code M:Machinery Locking Type S:Spring Return Type

TSV98 | **32** | **2** | **M**
Specification Code Hand-pull Valve
Position and Way NO. Two-position Three-way
Port Size 1:G1/8" 2:G1/4"
Type Code M:Machinery Locking Type S:Spring Return Type

Specification

| Model | TSV86522M/S | TSV98322M/S |
|-----------------------------|-----------------------------|-------------|
| Working Medium | 40 Micron Filtered Air | |
| Motion Pattern | Direct Drive Type | |
| Effective Sectional Area | 18mm ² (CV=1.00) | |
| Port Size | G1/4" | |
| Working-pressure Range | 0~1.0MPa | |
| Operating Temperature Range | 0~60°C | |

Overall Dimensions



4H Series Hand-pull Valve



4H330-10



4H210-06

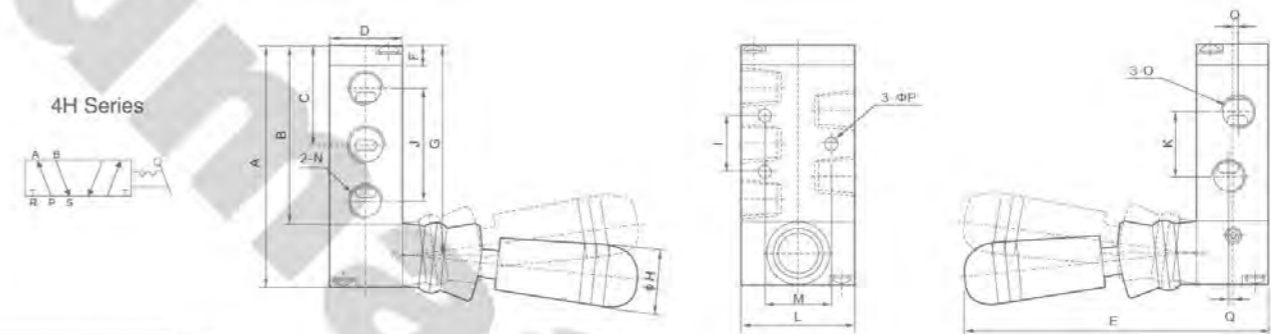
Ordering Code

4H | **2** | **10** | **06** | **□**
Specification Code 4H:Two(Three)-position Five-way Hand Pull Valve
Position and way No 2:200 Series 3:300 Series 4:400 Series
Number of places 10:Single-head Double-position 30:Single-head Three-position
Port Size 06:G1/8" 08:G1/4" 10:G3/8" 15:G1/2"
Type Code Blank:Two-Position Five-way lock type L:Three-Position Five-way lock type S:Two(Three)- Position Five-way spring return type

Specification

| Model | 4H210-06 | 4H210-08 | 4H230-08 | 4H310-08 | 4H310-10 | 4H330-10 | 4H410-15 | 4H430-15 |
|-----------------------------|-------------------------------------|-------------------------------------|-------------------------------------|-------------------------------------|-------------------------------------|-------------------------------------|-------------------------------------|-------------------------------------|
| Working Medium | 40 Micron Filtered Air | | | | | | | |
| Motion Pattern | Direct Drive Type | | | | | | | |
| Effective Section Area | 14mm ² (CV=0.78) | 16mm ² (CV=0.89) | 12mm ² (CV=0.67) | 25mm ² (CV=1.4) | 30mm ² (CV=1.68) | 30mm ² (CV=1.68) | 50mm ² (CV=2.79) | 50mm ² (CV=2.79) |
| Port Size | Air Inlet=Air Outlet= Exhaust=G1/8" | Air Inlet=Air Outlet= Exhaust=G1/4" | Air Inlet=Air Outlet= Exhaust=G1/4" | Air Inlet=Air Outlet= Exhaust=G1/4" | Air Inlet=Air Outlet= Exhaust=G1/4" | Air Inlet=Air Outlet= Exhaust=G1/4" | Air Inlet=Air Outlet= Exhaust=G1/2" | Air Inlet=Air Outlet= Exhaust=G1/2" |
| Working-Pressure Range | 0~1.0MPa | | | | | | | |
| Operating Temperature Range | 0~60°C | | | | | | | |

Overall Dimensions



Dimension Sheet

| Symbol/Model | A | B | C | D | E | F | G | H | I | J | K | L | M | N | O | P | Q |
|--------------|------|------|------|----|-----|-----|------|----|----|----|----|----|----|-------|-------|-----|-----|
| 4H210-06 | 76.5 | 56.5 | 31.5 | 22 | 95 | 6.5 | 66.5 | 18 | 20 | 36 | 21 | 35 | 21 | G1/8" | G1/8" | 4.3 | - |
| 4H230-06 | 76.5 | 56.5 | 31.5 | 22 | 95 | 6.5 | 66.5 | 18 | 20 | 36 | 21 | 35 | 21 | G1/8" | G1/8" | 4.3 | - |
| 4H230-06(S) | 97.5 | 75.5 | 31.5 | 22 | 95 | 6.5 | 85.5 | 18 | 20 | 36 | 21 | 35 | 21 | G1/8" | G1/8" | 4.3 | - |
| 4H210-08 | 76.6 | 56.5 | 31.5 | 22 | 95 | 6.5 | 66.5 | 18 | 20 | 36 | 21 | 35 | 21 | G1/8" | G1/4" | 4.3 | 1.5 |
| 4H230-08L | 97.5 | 75.5 | 31.5 | 22 | 95 | 6.5 | 66.5 | 18 | 20 | 36 | 21 | 35 | 21 | G1/8" | G1/4" | 4.3 | 1.5 |
| 4H230-08(S) | 97.5 | 75.5 | 31.5 | 22 | 95 | 6.5 | 85.5 | 18 | 20 | 36 | 21 | 35 | 21 | G1/8" | G1/4" | 4.3 | 1.5 |
| 4H310-08 | 92 | 72.5 | 40 | 27 | 100 | 7.5 | 82.5 | 18 | 24 | 45 | 24 | 40 | 27 | G1/4" | G1/4" | 4.3 | - |
| 4H310-10 | 92 | 72.5 | 40 | 27 | 100 | 7.5 | 82.5 | 18 | 24 | 45 | 24 | 40 | 27 | G1/4" | G3/8" | 4.3 | 2 |
| 4H410-15 | 126 | 102 | 55.5 | 34 | 100 | 7.5 | 114 | 18 | 28 | 63 | 36 | 50 | 35 | G1/2" | G1/2" | 5.5 | - |