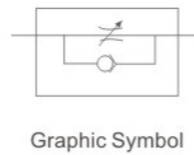


KLA Series Check Valve



Ordering Code

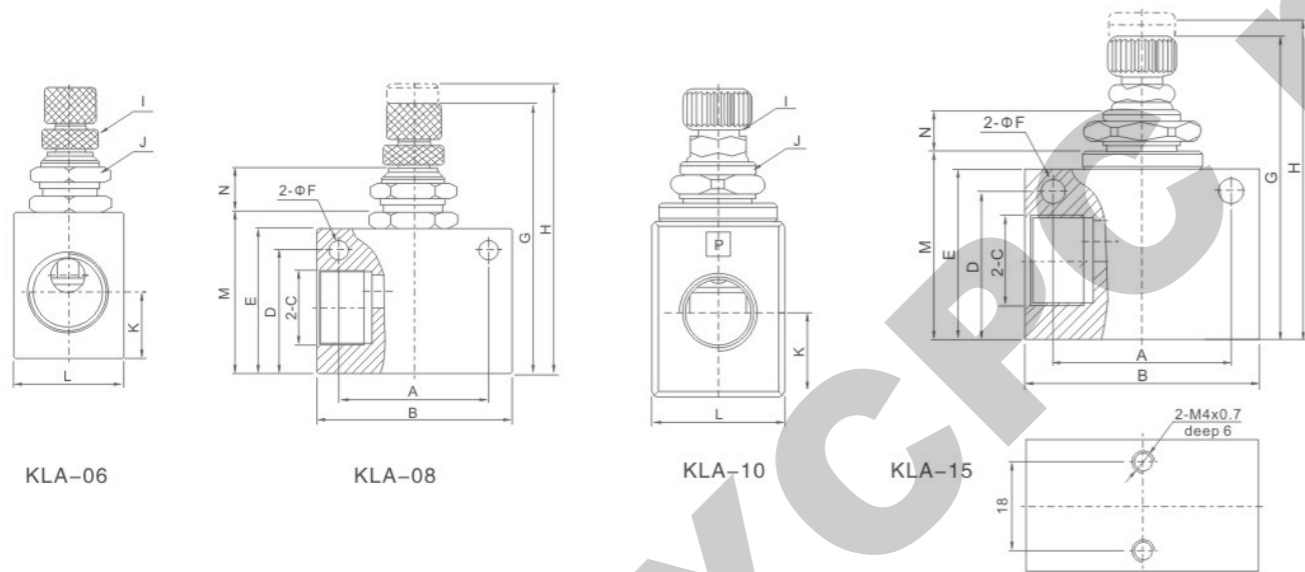
KLA — **10**
Series Code
 KLA:Check Valve
Port Size
 06:G1/8"
 08:G1/4"
 10:G3/8"
 15:G1/2"



Specification

| Model | KLA-06 | KLA-08 | KLA-10 | KLA-15 | |
|-----------------------------|-----------------------------|--------|--------|--------|------|
| Working Medium | Air | | | | |
| Port Size | G1/8" | G1/4" | G3/8" | G1/2" | |
| Working-pressure Range | 0.5~0.95 Kg/cm ² | | | | |
| Ensured Pressure Resistance | 15.0 Kg/cm ² | | | | |
| Operating Temperature Range | -5~60°C | | | | |
| Body of Material | Aluminum Alloy Lyl2 | | | | |
| Standard Rated Flow(L/min) | Check Valve | 200 | 450 | 1250 | 1650 |
| | One-way Valve | 400 | 800 | 1500 | 2000 |

Overall Dimensions



Dimension Sheet

| Model | A | B | C | D | E | F | G | H | I | J | K | L | M | N |
|--------|----|----|-------|----|----|-----|------|------|---------|----------|------|----|------|------|
| KLA-06 | 22 | 32 | PT1/8 | 18 | 23 | 4.3 | 46.8 | 52.3 | M6×0.5 | M12×0.75 | 10 | 18 | 26 | 8.6 |
| KLA-08 | 26 | 36 | PT1/4 | 23 | 27 | 4.3 | 50.8 | 56.3 | M6×0.5 | M12×0.75 | 13.5 | 18 | 30 | 8.6 |
| KLA-10 | 35 | 50 | G3/8 | 32 | 37 | 5.3 | 65 | 74 | M8×0.75 | M16×1 | 17.5 | 28 | 40.5 | 10.2 |
| KLA-15 | 35 | 50 | G1/2 | 32 | 37 | 5.3 | 65 | 74 | M8×0.75 | M16×1 | 17.5 | 28 | 40.5 | 10.2 |

KA Series Check Valve



Overall Dimensions

KA — **L8**
Series Code
 KA:Check Valve
Port Size
 L06:G1/8"
 L08:G1/4"
 L10:G3/8"
 L15:G1/2"
 L20:G3/4"
 L25:G1"
 L32:G1-1/4"
 L40:G1-1/2"
 L50:G2"



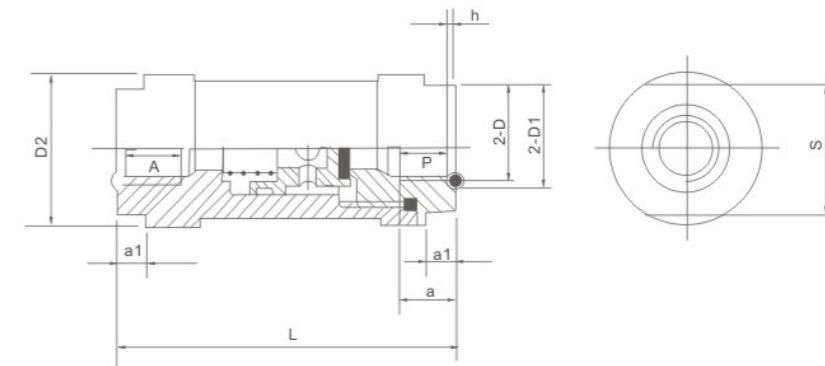
Product instruction

The valve is unidirectional control element. When passing the valve, the working medium can only flow along a given direction. In operation, when the medium pressure direction changes, the valve functions to stop the return of the medium in the system. Therefore, the product is also called non-return valve.

Specification

| Model | KA-L06 | KA-L08 | KA-L10 | KA-L15 | KA-L20 | KA-L25 | KA-L32 | KA-L40 | KA-L50 |
|-------------------------------------|-------------|--------|--------|--------|--------|--------|--------|--------|--------|
| Working-pressure | 0.05~0.8MPa | | | | | | | | |
| Environment Temperature | -10~+55°C | | | | | | | | |
| Medium Temperature | 0~+55°C | | | | | | | | |
| Circulating Ability | 10 | 20 | 40 | 60 | 110 | 190 | 300 | 400 | 650 |
| Startup Ability | ≤0.03MPa | | | | | | | | |
| Leak Out Flow(cm ³ /min) | 50 | 50 | 120 | 120 | 250 | 250 | 500 | 500 | 500 |
| Respond Time(Sec) | 0.03 | | | | | | | | |
| Life(Ten Thousand Times) | ≥150 | | | | | | | | |

Overall Dimensions



Dimension Sheet

| Model | Joint Pipe Code | D | D1 | D2 | S | L | a | a1 | h |
|--------|-----------------|--------------|-----|------|----|-----|----|----|-----------------------------------|
| KA-L06 | 6 | G1/8 M10×1 | Φ13 | Φ28 | 24 | 64 | 10 | 6 | 1.4 ⁰ _{-0.1} |
| KA-L08 | 8 | G1/4 M12×1.5 | Φ16 | Φ28 | 24 | 64 | 12 | 6 | 1.4 ⁰ _{-0.1} |
| KA-L10 | 10 | G3/8 M16×1.5 | Φ20 | Φ40 | 36 | 86 | 14 | 10 | 1.8 ⁰ _{-0.1} |
| KA-L15 | 15 | G1/2 M20×1.5 | Φ26 | Φ40 | 36 | 86 | 14 | 10 | 1.8 ⁰ _{-0.1} |
| KA-L20 | 20 | G3/4 M27×2 | Φ32 | Φ55 | 46 | 112 | 21 | 12 | 1.8 ⁰ _{-0.1} |
| KA-L25 | 25 | G1 M33×2 | Φ40 | Φ55 | 46 | 112 | 23 | 12 | 2.7 ⁰ _{-0.12} |
| KA-L32 | 32 | G1-1/4 M42×2 | Φ48 | Φ88 | 75 | 161 | 25 | 22 | 2.7 ⁰ _{-0.12} |
| KA-L40 | 40 | G1-1/2 M48×2 | Φ54 | Φ88 | 75 | 161 | 26 | 26 | 2.7 ⁰ _{-0.12} |
| KA-L50 | 50 | G2 M60×2 | Φ70 | Φ100 | 90 | 95 | 26 | 26 | 4.5 ⁰ _{-0.18} |