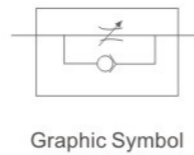


### KLA Series Check Valve



Ordering Code

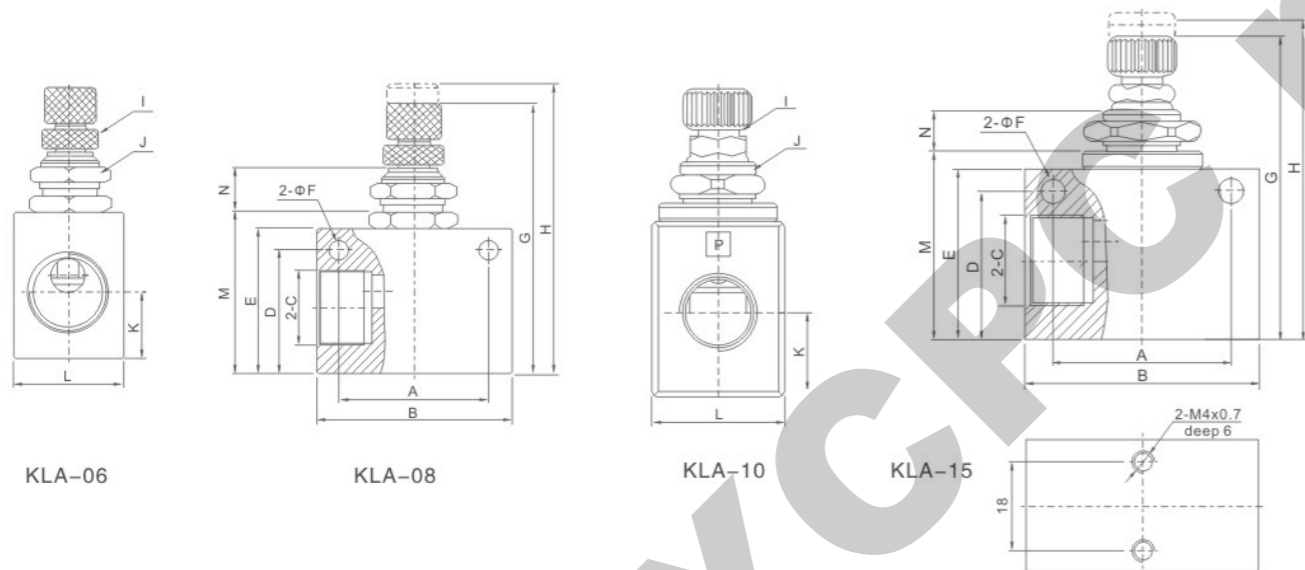
**KLA** — **10**  
**Series Code**  
 KLA:Check Valve  
**Port Size**  
 06:G1/8"  
 08:G1/4"  
 10:G3/8"  
 15:G1/2"



Specification

Model	KLA-06	KLA-08	KLA-10	KLA-15	
Working Medium	Air				
Port Size	G1/8"	G1/4"	G3/8"	G1/2"	
Working-pressure Range	0.5~0.95 Kg/cm <sup>2</sup>				
Ensured Pressure Resistance	15.0 Kg/cm <sup>2</sup>				
Operating Temperature Range	-5~60°C				
Body of Material	Aluminum Alloy Lyl2				
Standard Rated Flow(L/min)	Check Valve	200	450	1250	1650
	One-way Valve	400	800	1500	2000

Overall Dimensions



Dimension Sheet

Model	A	B	C	D	E	F	G	H	I	J	K	L	M	N
KLA-06	22	32	PT1/8	18	23	4.3	46.8	52.3	M6×0.5	M12×0.75	10	18	26	8.6
KLA-08	26	36	PT1/4	23	27	4.3	50.8	56.3	M6×0.5	M12×0.75	13.5	18	30	8.6
KLA-10	35	50	G3/8	32	37	5.3	65	74	M8×0.75	M16×1	17.5	28	40.5	10.2
KLA-15	35	50	G1/2	32	37	5.3	65	74	M8×0.75	M16×1	17.5	28	40.5	10.2

### KA Series Check Valve



Overall Dimensions

**KA** — **L8**  
**Series Code**  
 KA:Check Valve  
**Port Size**  
 L06:G1/8"  
 L08:G1/4"  
 L10:G3/8"  
 L15:G1/2"  
 L20:G3/4"  
 L25:G1"  
 L32:G1-1/4"  
 L40:G1-1/2"  
 L50:G2"



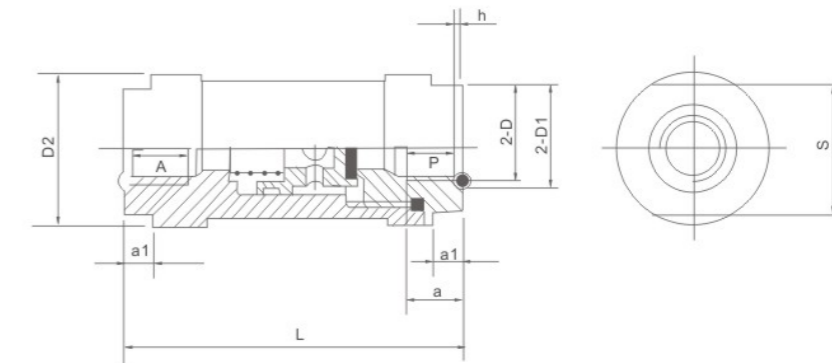
Product instruction

The valve is unidirectional control element. When passing the valve, the working medium can only flow along a given direction. In operation, when the medium pressure direction changes, the valve functions to stop the return of the medium in the system. Therefore, the product is also called non-return valve.

Specification

Model	KA-L06	KA-L08	KA-L10	KA-L15	KA-L20	KA-L25	KA-L32	KA-L40	KA-L50
Working-pressure	0.05~0.8MPa								
Environment Temperature	-10~+55°C								
Medium Temperature	0~+55°C								
Circulating Ability	10	20	40	60	110	190	300	400	650
Startup Ability	≤0.03MPa								
Leak Out Flow(cm <sup>3</sup> /min)	50	50	120	120	250	250	500	500	500
Respond Time(Sec)	0.03								
Life(Ten Thousand Times)	≥150								

Overall Dimensions



Dimension Sheet

Model	Joint Pipe Code	D	D1	D2	S	L	a	a1	h
KA-L06	6	G1/8 M10×1	Φ13	Φ28	24	64	10	6	1.4 <sup>0</sup> <sub>-0.1</sub>
KA-L08	8	G1/4 M12×1.5	Φ16	Φ28	24	64	12	6	1.4 <sup>0</sup> <sub>-0.1</sub>
KA-L10	10	G3/8 M16×1.5	Φ20	Φ40	36	86	14	10	1.8 <sup>0</sup> <sub>-0.1</sub>
KA-L15	15	G1/2 M20×1.5	Φ26	Φ40	36	86	14	10	1.8 <sup>0</sup> <sub>-0.1</sub>
KA-L20	20	G3/4 M27×2	Φ32	Φ55	46	112	21	12	1.8 <sup>0</sup> <sub>-0.1</sub>
KA-L25	25	G1 M33×2	Φ40	Φ55	46	112	23	12	2.7 <sup>0</sup> <sub>-0.12</sub>
KA-L32	32	G1-1/4 M42×2	Φ48	Φ88	75	161	25	22	2.7 <sup>0</sup> <sub>-0.12</sub>
KA-L40	40	G1-1/2 M48×2	Φ54	Φ88	75	161	26	26	2.7 <sup>0</sup> <sub>-0.12</sub>
KA-L50	50	G2 M60×2	Φ70	Φ100	90	95	26	26	4.5 <sup>0</sup> <sub>-0.18</sub>