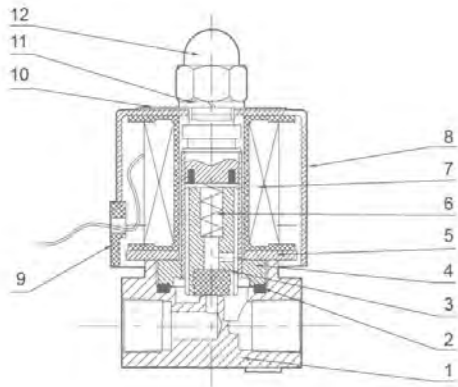


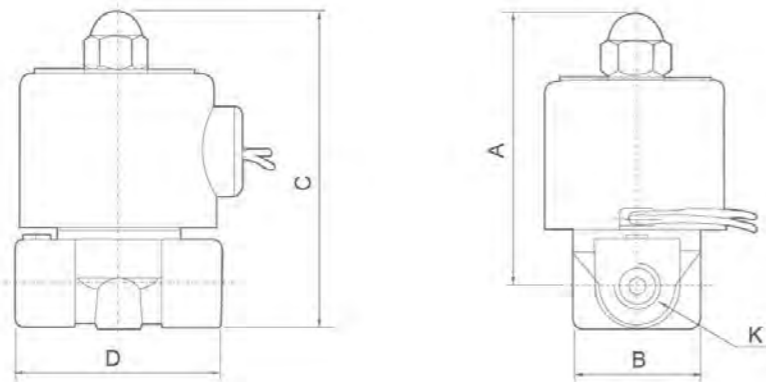
### 2W(UD) Aperture 2/2 Direct Drive Type Solenoid Valve(Small Aperture)

Internal structure



No	Name
1	Body Of Valve
2	O-ring
3	Assembly Of Iron Core
4	Assembly Of Iron Core
5	Magnetic Plate
6	Spring
7	Assembly Of Coil
8	Iron Cover
9	Cord-locks
10	Name Plate
11	Gasket
12	Head Cover Nut

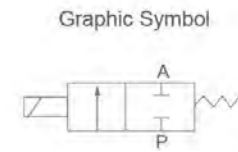
Overall Dimensions



Dimension Sheet

Symbol/Model	A	B	C	D	K(PT)
2W025-06	66	30.3	75	41.5	G1/8"
2W025-08	66	30.3	75	41.5	G1/4"
2W040-10	74	32.2	85.5	53	G3/8"
2WH012-06	66	30.3	75	40.5	G1/8"
2WH012-08	66	30.3	75	40.5	G1/4"
2WH020-10	74	32.3	85.5	53	G3/8"

### 2W(UW) Series 2/2 Direct Drive Type Solenoid Valve(Large Aperture)



Ordering Code

<b>2W</b>	<b>160</b>	<b>15</b>	<b>F</b>	<b>AC220V</b>	
<b>Specification Code</b> 2W:Two-position two-way solenoid valve (direct drive type)	<b>Aperture of Flow Rate</b> 160:16mm 200:20mm 250:25mm 350:35mm 500:50mm	<b>Port Size</b> 10:G3/8" 15:G1/2" 20:G3/4" 25:G1" 35:G1 1/4" 40:G1 1/2" 50:G2"	<b>Initial Estate</b> Blank:Pipe Joint Type F: Flange Type	<b>Standard Voltage</b> DC12V DC24V AC24V 50Hz/60Hz AC36V 50Hz/60Hz AC110V 50Hz/60Hz AC220V 50Hz/60Hz AC380V 50Hz/60Hz	<b>Wiring Form</b> Blank:Lead Wire Type D: Joint Connector

Specification

Model	2W160-10	2W160-15	2W200-20	2W250-25	2W350-35	2W400-40	2W500-50
Working Medium	Air,Water,Oil,gas						
Motion Pattern	Direct Drive Type						
Type	Normal Close Type						
Aperture of Flow Rate(mm)	16	20	25	35	40	50	
CV Value	4.8		7.6	12	24	29	48
Port Size	G3/8"	G1/2"	G3/4"	G1"	G1 1/4"	G1 1/2"	G2"
Operation Fluid Viscosity	20 CST (Below)						
Working-pressure	Air:0~0.7MPa Water:0~0.5MPa Oil:0~0.5MPa Gas: 0~0.7MPa						
Max. Pressure Resistance	1.0MPa						
Operating Temperature Range	-5~+80°C						
Voltage Range	±10%						
Material of Body	Brass						
Material of Oil Seal	NBR EPDM or VITON						