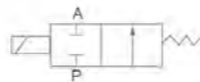


2W/2S Normal Open Series Solenoid Valve



Graphic Symbol



Ordering Code

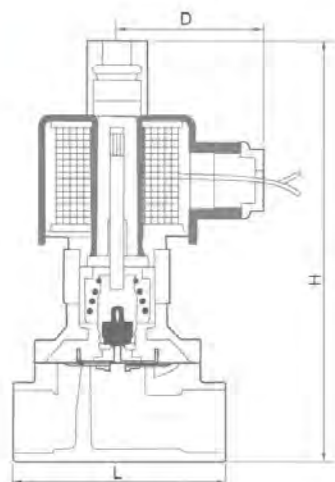
2W — **160** — **10** — **NO** — **AC220V** —

Specification Code	Aperture of Flow Rate	Port Size	Initial Estate	Standard Voltage	Wiring Form
2W:Two-position two-way solenoid valve (direct drive type)	040:4.0mm	10:G3/8"	NO: Normal Open	DC12V DC24V	Blank:Lead Wire Type
2S:Stainless steel two position two way solenoid valve(direct drive type)	160:16mm	15:G1/2"		AC24V 50Hz/60Hz	D:Joint Connector
	200:20mm	20:G3/4"		AC36V 50Hz/60Hz	E:Blast-proof Coil
	250:25mm	25:G1"		AC110V 50Hz/60Hz	G:Water-proof Coil
				AC220V 50Hz/60Hz	
				AC380V 50Hz/60Hz	

Specification

Model	2W/2S(040-10NO)	2W/2S(160-10NO)	2W/2S(160-15NO)	2W/2S(200-20NO)	2W/2S(250-25NO)
Working Medium	Air,Water,Oil,Gas				
Motion Pattern	Direct Drive Type				
Type	Normal Open Type				
Aperture of Flow Rate(mm)	4	16	16	20	25
CV Value	0.6	4.8	4.8	7.6	12
Port Size	G3/8"	G3/8"	G1/2"	G3/4"	G1
Operation Fluid Viscosity	20 CST (Below)				
Working-pressure	Water:0~0.5MPa Air:0~0.7MPa Oil:0~0.5MPa Gas: 0~0.7MPa				
Max. Pressure Resistance	1.05MPa				
Operating Temperature Range	-5~+80 C				
Voltage Range	±10%				
Material of Body	2W: Brass; 2S: Stainless steel				
Material of Oil Seal	NBR EPDM or VITON				

Overall Dimensions



Dimension Sheet

Model	L	H	D
2W040-10NO	53	105	54
2W160-10NO	69	116	62
2W160-15NO	69	116	62
2W200-20NO	73	127	62
2W250-25NO	99	135	62

2L(US) Series 2/2 Solenoid Valve

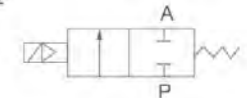


Ordering Code

2L — **170** — **15** — **AC220V**

Specification Code	Aperture of Flow Rate	Port Size	Standard Voltage
2L:Steam Type Two-position Two-way Solenoid Valve	170:17mm	10:G3/8"	DC12V DC24V
	200:22mm	15:G1/2"	AC24V 50Hz/60Hz
	300:30mm	20:G3/4"	AC36V 50Hz/60Hz
	500:50mm	25:G1"	AC110V 50Hz/60Hz
		35:G1/4"	AC220V 50Hz/60Hz
		40:G1/2"	AC380V 50Hz/60Hz
		50:G2"	

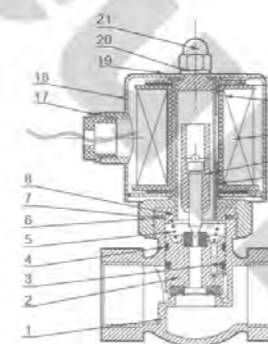
Graphic Symbol



Specification

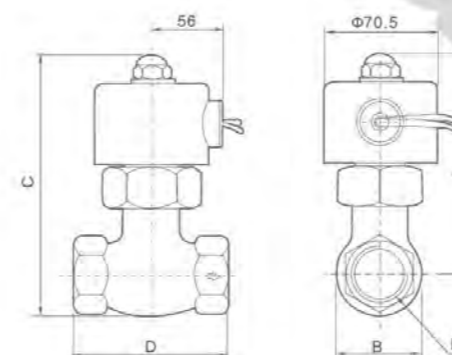
Model	2L170-10	2L170-15	2L170-20	2L200-25	2L300-35	2L300-40	2L500-50
Working Medium	Air, Water, Steam						
Motion Pattern	Guide Type						
Type	Normal Close Type						
Aperture of Flow Rate(mm)	17		22		30		50
CV Value	4.8		12		20		48
Port Size	G3/8"	G1/2"	G3/4"	G1"	G1/4"	G1/2"	G2"
Operation Fluid Viscosity	20 CST(Below)						
Working-pressure	Air, Water, Steam:0.1~1.5MPa						
Max. Pressure Resistance	2.25MPa						
Operating Temperature Range	-5~+180 C						
Voltage Range	±10%						
Material of Body	Brass						
Material of Oil Seal	PTFE						

Internal structure



No	Name	No	Name	No	Name
1	Body Of Valve	8	Assembly of Iron Core	15	Gasket
2	Assembly Of Piston	9	Magnetic Plate	16	Magnetic Plate
3	Springiness Spacer	10	Gasket	17	Cord-locks
4	Wear Strip	11	Bush	18	Iron Cover
5	Spring	12	Assembly Of Iron Core	19	Name Plate
6	Nut	13	Assembly Of Coil	21	Gasket
7	O-ring	14	Bush	21	Head Cover Nut

Overall Dimensions



Dimension Sheet

Model	A	B	C	D	K
2L170-10	125	38	146	76	G3/8"
2L170-15	125	42	146	81	G1/2"
2L170-20	125	47	146	84	G3/4"
2L200-25	136	54	162	91.5	G1"
2L300-35	148	76	185	111	G1/4"
2L300-40	148	76	185	111	G1/2"
2L500-50	176	88	223	164	G2"