

2W/2S Normal Open Series Solenoid Valve



Ordering Code

2W — **160** — **10** — **NO** — **AC220V**

Specification Code
2W: Two-position two-way solenoid valve (direct drive type)
2S: Stainless steel two position two way solenoid valve (direct drive type)

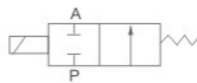
Aperture of Flow Rate
040: 4.0mm
160: 16mm
200: 20mm
250: 25mm

Port Size
10: G3/8"
15: G1/2"
20: G3/4"
25: G1"

Initial Estate
NO: Normal Open

Standard Voltage
DC12V DC24V
AC24V 50Hz/60Hz
AC36V 50Hz/60Hz
AC110V 50Hz/60Hz
AC220V 50Hz/60Hz
AC380V 50Hz/60Hz

Graphic Symbol

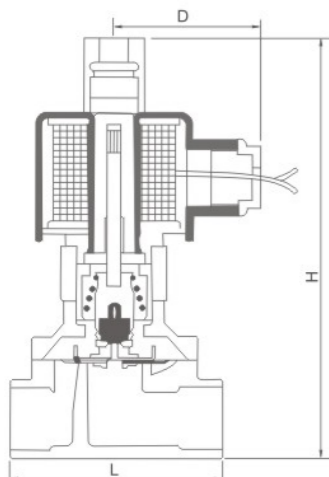


Wiring Form
Blank: Lead Wire Type
D: Joint Connector
E: Blast-proof Coil
G: Water-proof Coil

Specification

Model	2W/2S(040/050-10NO)	2W/2S(160-10NO)	2W/2S(160-15NO)	2W/2S(200-20NO)	2W/2S(250-25NO)
Working Medium	Air, Water, Oil, Gas				
Motion Pattern	Direct Drive Type				
Type	Normal Open Type				
Aperture of Flow Rate(mm)	4	16	16	20	25
CV Value	0.6	4.8	4.8	7.6	12
Port Size	G3/8"	G3/8"	G1/2"	G3/4"	G1"
Operation Fluid Viscosity	20 CST (Below)				
Working-pressure	Water: 0~0.5MPa Air: 0~0.7MPa Oil: 0~0.5MPa Gas: 0~0.7MPa				
Max. Pressure Resistance	1.05MPa				
Operating Temperature Range	-5~+80°C				
Voltage Range	±10%				
Material of Body	2W: Brass; 2S: Stainless steel				
Material of Oil Seal	NBR EPDM or VITON				

Overall Dimensions



Dimension Sheet

Model	L	H	D
2W040-10NO	53	105	54
2W160-10NO	69	116	62
2W160-15NO	69	116	62
2W200-20NO	73	127	62
2W250-25NO	99	135	62

2L(US) Series 2/2 Solenoid Valve



Ordering Code

2L — **70** — **15** — **AC220V**

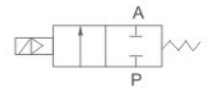
Specification Code
2L: Steam Type Two-position Two-way Solenoid Valve

Aperture of Flow Rate
170: 17mm
200: 22mm
300: 30mm
500: 50mm

Port Size
10: G3/8"
15: G1/2"
20: G3/4"
25: G1"
35: G1 1/4"
40: G1 1/2"
50: G2"

Standard Voltage
DC12V DC24V
AC24V 50Hz/60Hz
AC36V 50Hz/60Hz
AC110V 50Hz/60Hz
AC220V 50Hz/60Hz
AC380V 50Hz/60Hz

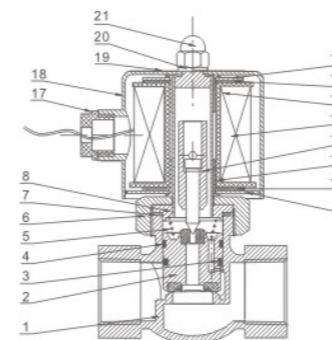
Graphic Symbol



Specification

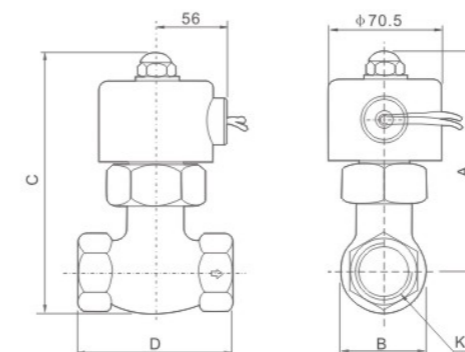
Model	2L170-10	2L170-15	2L170-20	2L200-25	2L300-35	2L300-40	2L500-50
Working Medium	Air, Water, Steam						
Motion Pattern	Guide Type						
Type	Normal Close Type						
Aperture of Flow Rate(mm)	17		22		30		50
CV Value	4.8		12		20		48
Port Size	G3/8"	G1/2"	G3/4"	G1"	G1 1/4"	G1 1/2"	G2"
Operation Fluid Viscosity	20 CST (Below)						
Working-pressure	Air, Water, Steam: 0.1~1.5MPa						
Max. Pressure Resistance	2.25MPa						
Operating Temperature Range	-5~+180°C						
Voltage Range	±10%						
Material of Body	Brass						
Material of Oil Seal	PTFE						

Internal structure



NO	Name	NO	Name	NO	Name
1	Body Of Valve	8	Assembly of Iron Core	15	Gasket
2	Assembly Of Piston	9	Magnetic Plate	16	Magnetic Plate
3	Springiness Spacer	10	Gasket	17	Cord-locks
4	Wear Strip	11	Bush	18	Iron Cover
5	Spring	12	Assembly Of Iron Core	19	Name Plate
6	Nut	13	Assembly Of Coil	21	Gasket
7	O-ring	14	Bush	21	Head Cover Nut

Overall Dimensions



Dimension Sheet

Model	A	B	C	D	K
2L170-10	125	38	146	76	G3/8"
2L170-15	125	42	146	81	G1/2"
2L170-20	125	47	146	84	G3/4"
2L200-25	136	54	162	91.5	G1"
2L300-35	148	76	185	111	G1 1/4"
2L300-40	148	76	185	111	G1 1/2"
2L500-50	176	88	223	164	G2"