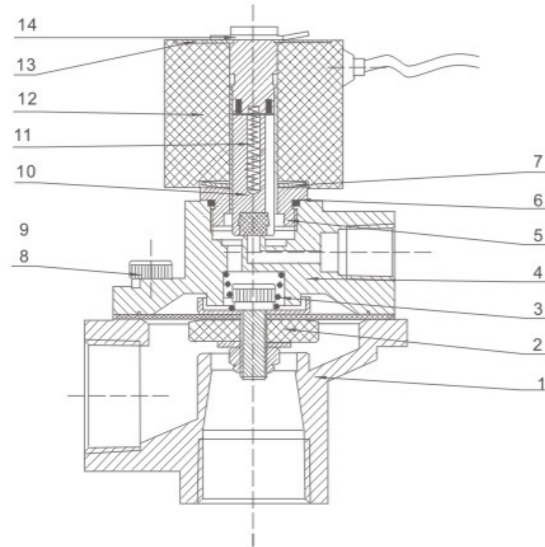


VXF Series Solenoid Valve

Internal structure

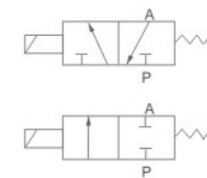


NO	Code	Name
1	VXF2150-06-01	Body of Valve
2	VXF2150-06-02	Assembly Of Diaphragm
3	VXF2150-06-03	Pull Spring
4	VXF2150-06-04	Valve Cover
5	VXF2150-06-05	Assembly Of Iron Core
6	VXF2150-06-06	O-ring
7	VXF2150-06-07	Spring
8	GB70-85	Gasket
9	GB859-87	Socket Hexagon Screws
10	VXF2150-06-08	Assembly Of Iron Core
11	VXF2150-06-09	Spring
12	VXF2150-06-10	Coil
13	VXF2150-06-11	Name Plate
14	VXF2150-06-12	Clip

XC22/23 Series Solenoid Valve



Graphic Symbol



Ordering Code

XC — **23** — **06** — **AC220V**

Factory Code **The Position counting** **Port Size** **Standard Voltage**

22: Two position two way 06: G1/8" DC12V DC24V

23: Two position three way 08: G1/4" AC24V 50/60Hz

AC36V 50/60Hz

AC110V 50/60Hz

AC220V 50/60Hz

AC380V 50/60Hz

Specification

Model	XC22-06	XC22-08	XC23-06	XC23-08
Working Medium	Air, Water, Oil			Air
Aperture of Flow Rate(mm)	1.6	2.4	3.2	4.0
CV Value	0.10	0.21	0.33	0.43
Port size	G1/8"	G1/4"	G1/8"	G1/4"
Working-pressure Range	0~1.5	0~1.0	0~0.7	0~0.5
Voltage Range	+10%			
Material of oil seal	NBR or VITON			

Overall Dimensions

