

XC Series Stainless Steel Bevel Valve



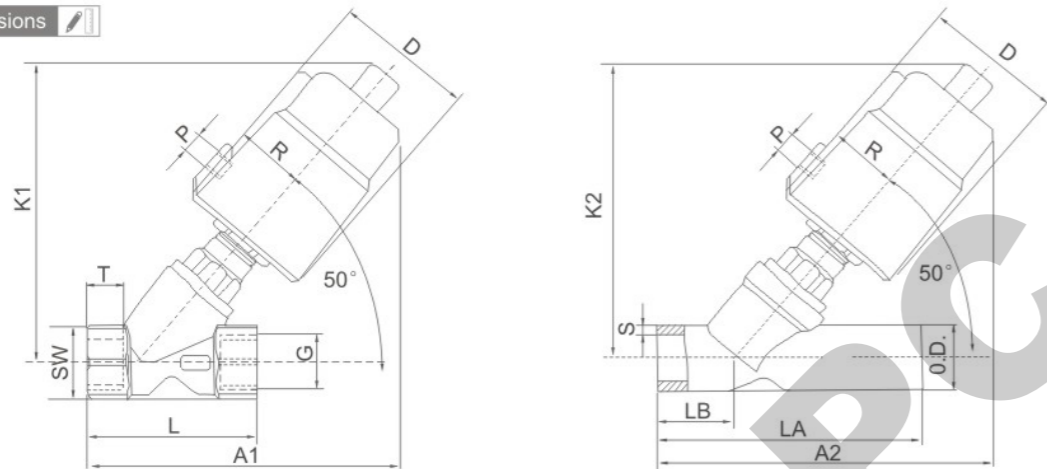
Ordering Code

XC	10	40	□	□
Series Code XC Series Stainless Steel Bevel Valve	Port Size 10:G3/8" 15:G1/2" 20:G3/4" 25:G1" 32:G1-1/4" 40:G1-1/2" 50:G2" 65:G2-1/2" 80:G3"	Actuator Size 40:40mm 50:50mm 63:63mm 90:90mm 100:100mm	Type SC:Single Action Normal Close SO:Single Action Normal Open DC:Double Action Normal Close DF:Double Action Free Installation	Body Material Blank:S.S 304 (Standard) 316:S.S 316 316L:S.S 316L

Specification

Model	XC10-80SC/SO/DC/DF			Model	XC10-80SC/SO/DC/DF		
Port size	DN10-DN50			Applicable medium	Water,liquid,neutral gas,water steam slight corrosive gas and liquid		
Thread	G3/8"-G3"			Temperature range	PTFE:-10℃ to +180℃		
Welded	DIN11850	2 DIN11850	3 ISO2037	Ambient temperature	-10℃ to +60℃		
Valve body	CF8M			Viscosity	max. 600mm ² /s		
Actuator	CF8			Installation	Any position		
Seat seals	PTFE			Controlling medium	Air or neutral gas		
Stem seals	PTFE/FKM			Controlling pressure range	0.3~1Mpa		
Piston seals	FKM/NBR						

Overall Dimensions



Dimension Sheet

Specification	Actuator (mm)	D	R	P	Thread					Welded							
					G	K1	A1	L	T	SW	OD	K2	A2	LA	LB	S	
DN10	40	53	28	G1/8"	G3/8"	105	144	65	12	25	/	/	/	/	/	/	/
DN15	50	56	35	G1/8"	G1/2"	142	182	76	14	28	21	115	142	100	18	3	
DN20	50	56	35	G1/8"	G3/4"	152	189	92	16	32	27	131	170	117	30	3	
DN25	50	56	35	G1/8"	G1"	155	207	103	21	39	34	138	175	130	30	3	
DN25	63	70	43	G1/8"	G1"	176	217	103	21	39	34	166	200	130	30	3	
DN32	63	70	43	G1/8"	G1-1/4"	177	222	112	19	49	42	172	207	145	30	3	
DN40	63	70	43	G1/8"	G1-1/2"	182	225	129	21	56	48	174	207	160	30	4	
DN50	63	70	43	G1/8"	G2"	196	249	143	27	68	60	193	227	190	30	4	
DN50	90	94	56	G1/4"	G2"	206	268	143	27	68	60	202	235	190	30	4	
DN65	90	94	56	G1/4"	G2-1/2"	215	290	186	28	84	76	209	255	230	40	5	
DN80	125	135	73	G1/4"	G3"	295	335	218	34	101	/	/	/	/	/	/	

XQ22HD Series Right angle valve



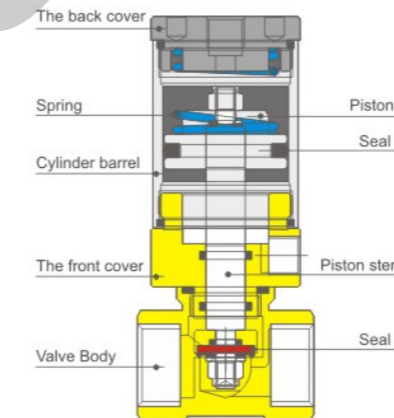
Ordering Code

X	Q	22	HD	□	□	□
XCPC Product	Right angle valve code	Two-position Two-way	Air control liquid valve	Connection Size 15:G1/2" 20:G3/4" 25:G1" 32:G1/4" 40:G1/2" 50:G2"	Type S:Single acting type D:Double acting type K:Normally open	Material Blank: Normal type H: High temperature type

Product Features

Classical design, durable Air control design, energy saving and environmental protection Big flow rate, safety and Precision
Can work at low pressure, smartness for on and off, good seal performance. There are two kinds of structure single acting type and double acting type.
Application: food, medicine, industry, abstersion, landification, printing, etc.
Remark: Normally open: Flow comes under the piston seal, against arrow on body.

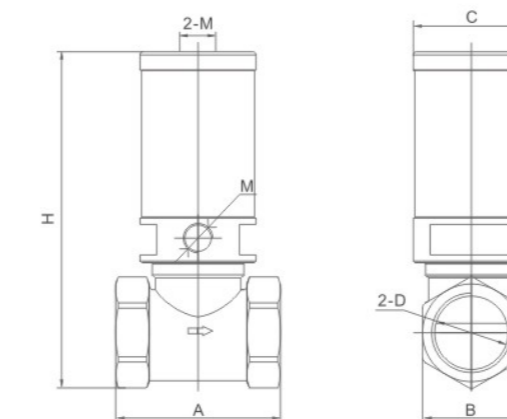
Internal structure



Specification

Model	Orifice	Medium	Working pressure	Temp range	Kv value(m ³ /k)
XQ22HD-15	15mm	Compress	0.2~0.6MPa	-5~60℃	4
XQ22HD-20	20mm				5
XQ22HD-25	25mm	Air Water		(High temperature)	10
XQ22HD-32	32mm	Oil			25
XQ22HD-40	40mm			-5~150℃	25
XQ22HD-50	50mm			40	

Overall Dimensions



Dimension Sheet

Model	A	B	C	D	H	M
XQ22HD-15	47	26	31	G1/2"	96	G1/8"
XQ22HD-20	54	33	31	G3/4"	102	G1/8"
XQ22HD-25	66	34	38	G1"	115	G1/8"
XQ22HD-32	77	48	46	G1-1/4"	143	G1/8"
XQ22HD-40	86	54	56	G1-1/2"	160	G1/8"
XQ22HD-50	116	67	69	G2"	182	G1/8"