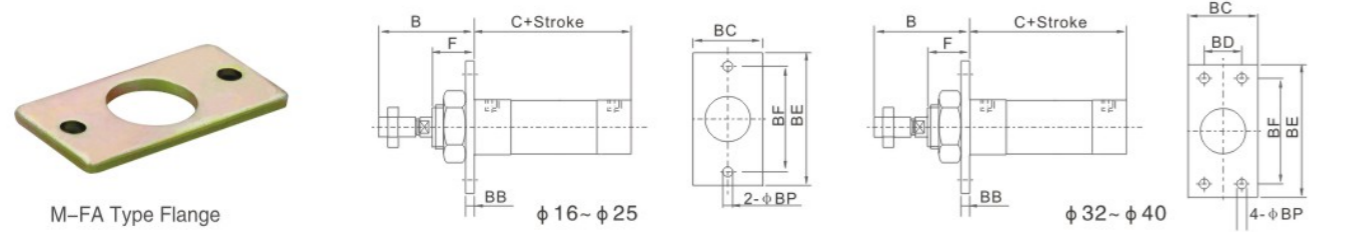
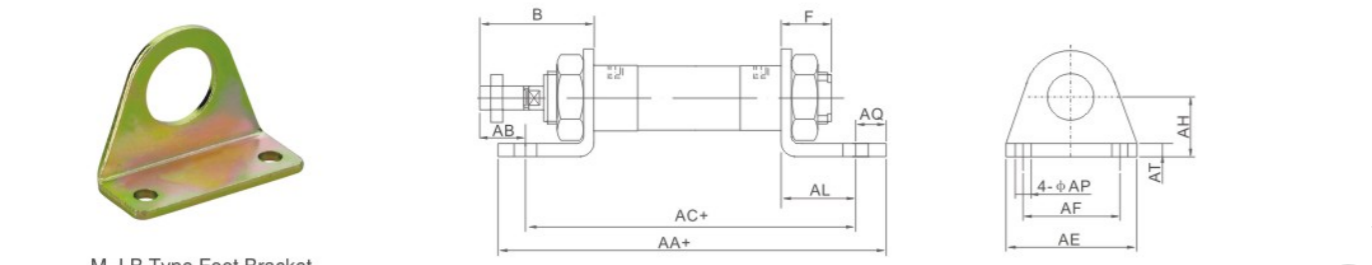


Mini Cylinder Accessories

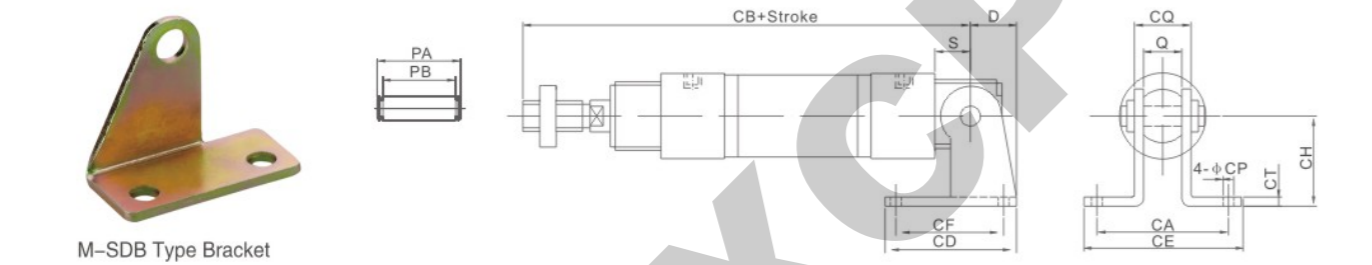


Bore	B	C		C(MSA Series)		C(MSAL Series)		BB	BC	BD	BE	BF	BP	F
		MA Series	MAL Series	0-50	51-100	0-50	51-100							
16	38	60	-	60	85	-	-	3	26	-	52	40	5.5	16
20	40	76	70	76	101	70	95	4	33	-	64	50	6.5	12
25	44	76	70	76	101	70	95	4	33	-	64	50	6.5	14
32	44	76	70	76	101	70	95	4	47	33	72	58	6.5	14
40	46	76	92	76	101	92	117	4	50	36	84	70	6.5	14

Our company can also provide this used for mini cylinder flange from 16~25, if you need, pls add A after all ordering code, like M-FA-20-A

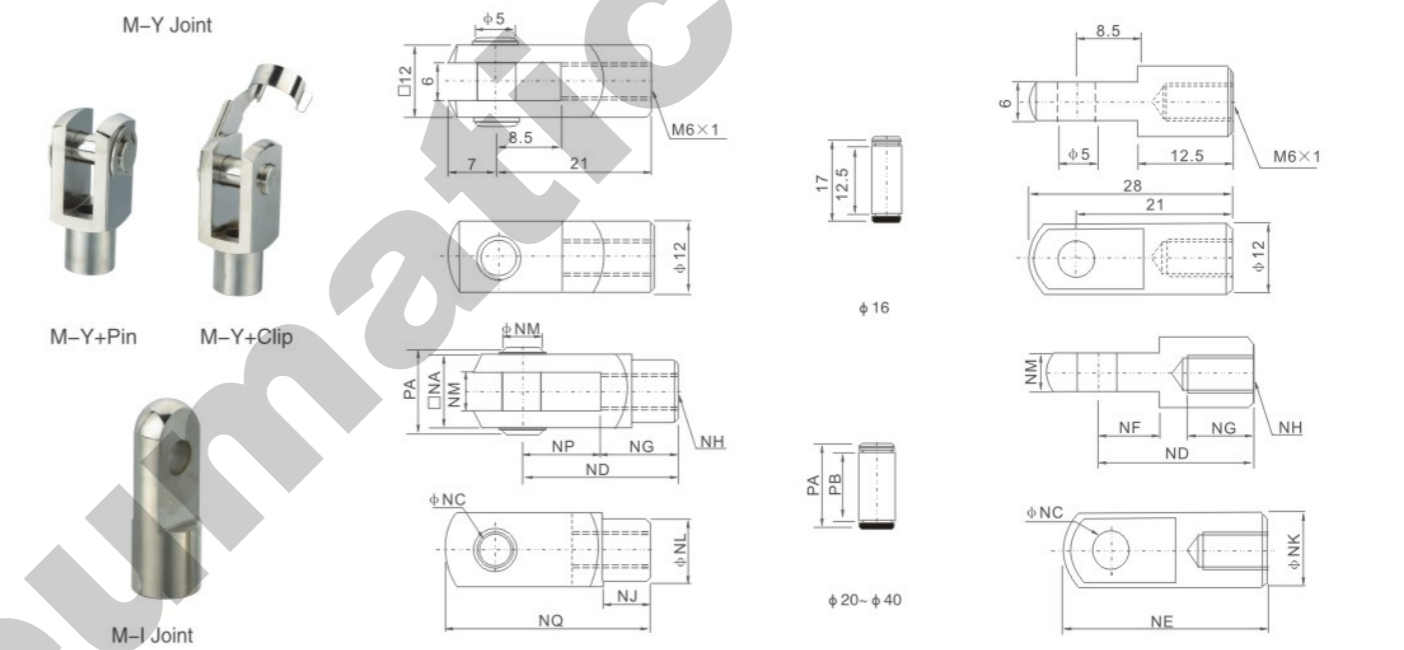


Symbol	B	F	AA		AA(MSA Series)		AA(MSAL Series)		AB	AC		AC(MSA Series)		AC(MSAL Series)		AE	AF	AL	AQ	AP	AT	AH
			(MA Series)	(MAL Series)	0-50	51-100	0-50	51-100		0-50	51-100	0-50	51-100	0-50	51-100							
16	38	16	98	-	98	123	-	-	25	86	-	86	111	-	-	44	32	13	6	5.5	3	20
20	40	12	122	116	122	147	116	141	25	106	100	106	131	100	125	54	40	15	8	6.5	3	25
25	44	14	122	116	122	147	116	141	29	106	100	106	131	100	125	54	40	15	8	6.5	3	25
32	44	14	142	136	142	167	136	161	19	126	120	126	151	120	145	59	45	25	8	6.5	4	32
40	46	14	142	158	142	167	158	183	21	126	142	126	151	142	167	64	50	25	8	6.5	4.5	36

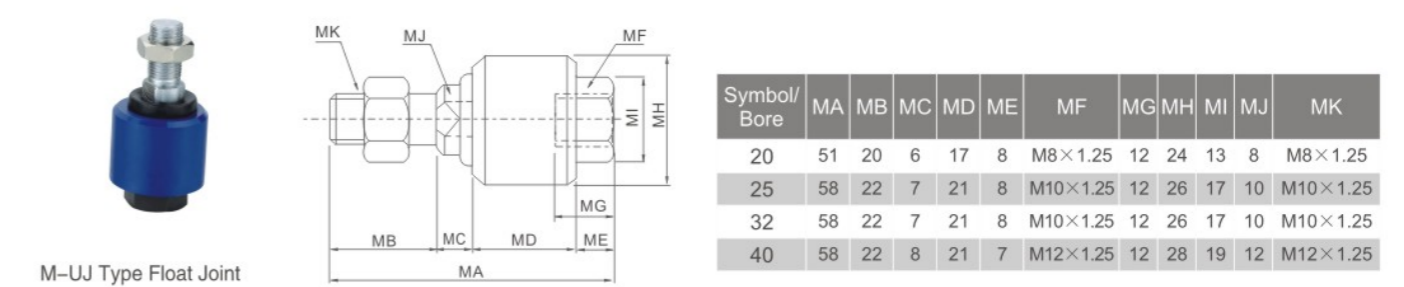


Symbol	D	S	Q	CA	CB		CB		CD	CE	CF	CH	CT	CP	CQ	PA	PB		
					(MA Series)	(MAL Series)	(MSA Series)	(MSAL Series)											
16	16	9	12	-	107	-	107	132	-	-	23	-	12	20	3	5.5	16.5	21	17
20	21	12	16	51	128	122	128	153	122	147	48	67	32	32	3	6.5	22	27	22.5
25	21	12	16	51	132	126	132	157	126	151	48	67	32	32	3	6.5	22	27	22.5
32	27	15	16	51	135	129	135	160	129	154	52	67	36	36	3	6.5	24	30	24.5
40	27	15	20	55	137	153	137	162	153	178	56	71	40	40	3	6.5	28	34	28.5

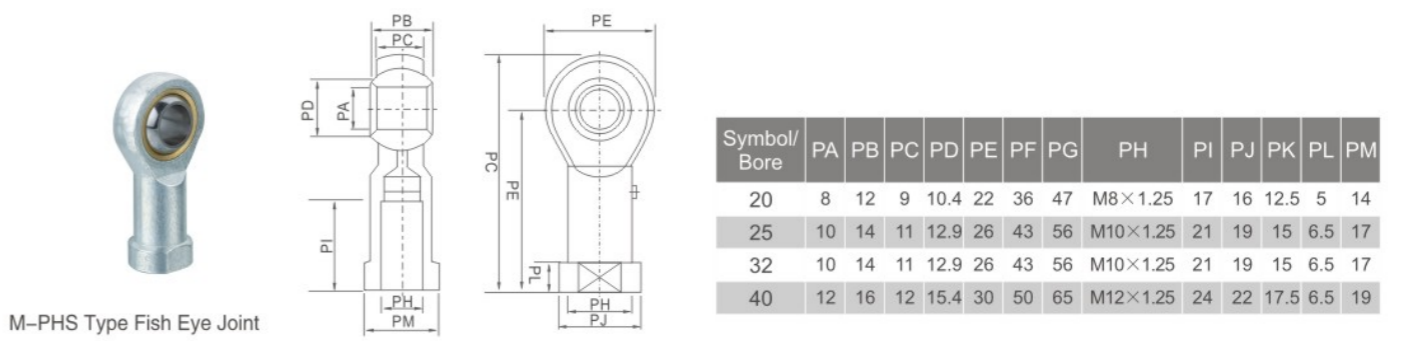
Mini Cylinder Accessories



Symbol/Bore	NA	NC	ND	NE	NF	NG	NH	NJ	NK	NL	NM	NN	NP	NQ	PA	PB
20	16	8	30	40	11	15	M8×1.25	10	16	14	8	8	15	40	21	16.5
25	19	10	40	52	15	20	M10×1.25	12	20	18	10	10	20	52	25	19.5
32	19	10	40	52	15	20	M10×1.25	12	20	18	10	10	20	52	25	19.5
40	25.4	10	45	57	15	25	M12×1.25	15	24	23	14	10	20	57	31	26



Symbol/Bore	MA	MB	MC	MD	ME	MF	MG	MH	MI	MJ	MK
20	51	20	6	17	8	M8×1.25	12	24	13	8	M8×1.25
25	58	22	7	21	8	M10×1.25	12	26	17	10	M10×1.25
32	58	22	7	21	8	M10×1.25	12	26	17	10	M10×1.25
40	58	22	8	21	7	M12×1.25	12	28	19	12	M12×1.25

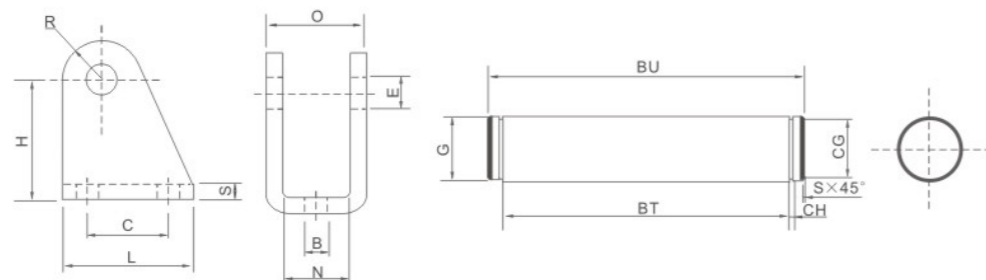


Symbol/Bore	PA	PB	PC	PD	PE	PF	PG	PH	PI	PJ	PK	PL	PM
20	8	12	9	10.4	22	36	47	M8×1.25	17	16	12.5	5	14
25	10	14	11	12.9	26	43	56	M10×1.25	21	19	15	6.5	17
32	10	14	11	12.9	26	43	56	M10×1.25	21	19	15	6.5	17
40	12	16	12	15.4	30	50	65	M12×1.25	24	22	17.5	6.5	19

### Mini Cylinder Accessories



M-U+Pin



Symbol/Bore	B	E	C	H	L	N	O	R	S	G	BT	CG	CH	BU	S
8/10	4.5	4	12.5	24	20	8.1	13	5	2.5	4	14	2.5	0.5	17	0.2
12/16	5.5	6	15	27	25	13	18	7	2.5	6	19	4	0.8	24	0.4
20/25	6.6	8	20	29.5	32	16.1	24	10	4	8	25.2	5	0.9	29.5	0.5

### Special cylinder accessories



Our company can customize all kinds of non-standard cylinder accessories according to your drawing or sample.

### Seal Kits for Pneumatic Cylinder



Seal kits-DNC

Product	Model	Cylinder bore size	Temperature
Seal kits-DNC		Φ32~125	-5~75°C
Seal kits-DNG		Φ160~320	
Seal kits-SI		Φ32~200	
Seal kits-SC		Φ32~200	
Seal kits-MA		Φ10~40	
Seal kits-MAL		Φ16~40	
Seal kits-SDA		Φ12~100	
Seal kits-ADVU		Φ16~80	



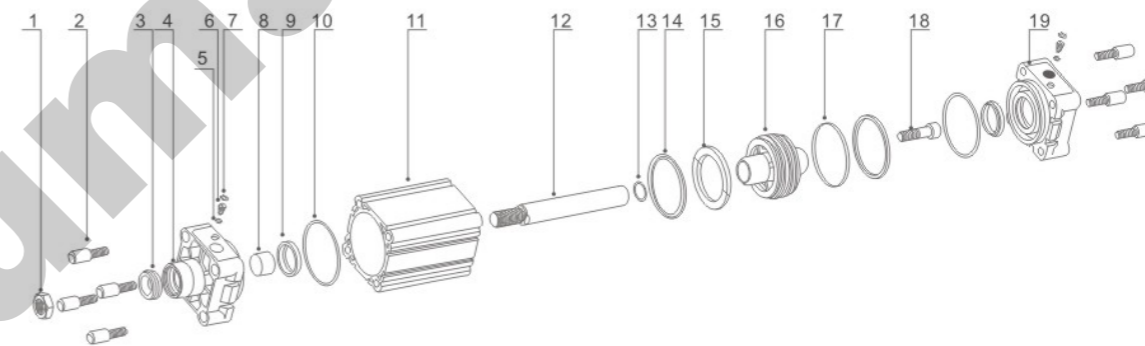
Seal kits-DNC-Viton

Product	Model	Cylinder bore size	High temperature
Seal kits-DNC-Viton		Φ32~125	-10~150°C
Seal kits-DNG-Viton		Φ160~320	
Seal kits-SI-Viton		Φ32~200	
Seal kits-SC-Viton		Φ32~200	
Seal kits-MA-Viton		Φ10~40	
Seal kits-MAL-Viton		Φ16~40	
Seal kits-SDA-Viton		Φ12~100	
Seal kits-ADVU-Viton		Φ16~80	

### Assembly kits for pneumatic cylinder

#### DNC Series Cylinder Kits

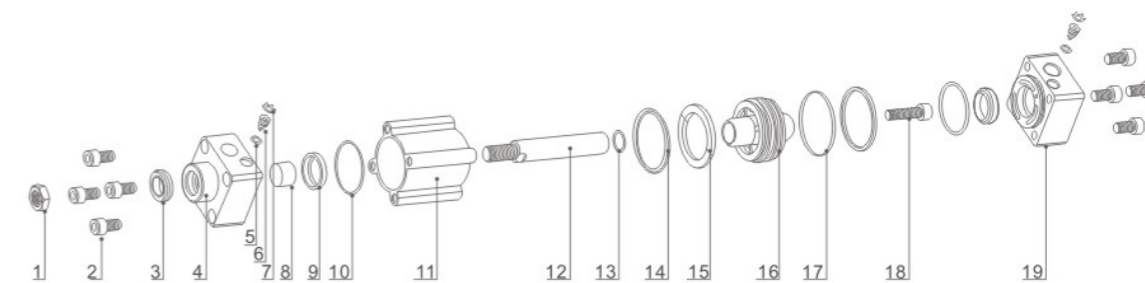
Product	Model/ Specification	Part name	Material	Part name	Material
	DNC Kits (ISO6431&V DMA24562) Bore size: φ 32,40, 50,63,80, 100,125	Front cover	Aluminum alloy	Piston seal	NBR
		Back cover	Aluminum alloy	Wear ring	PA66
		Piston	Aluminum alloy	Self lubricating bearing	PTFE+Brass
		Piston rod(Without)	S45C hard chrome carbon steel	Magnet(optional)	RbFeb
		Barrel(Without)	Hard anodized aluminum	Cushion needle	Brass
		Front Cover seal	PU	Hexagon screw	Carbon steel
		Cushion seal	NBR	Nut	Carbon steel
		Piston rod O-ring	NBR	Profile bolt	Carbon steel
		Cover O-ring	NBR		



NO	Designation	NO	Designation	NO	Designation	NO	Designation	NO	Designation
1	Nut	5	O-ring	9	Cushion seal	13	Rod O-ring	17	Wear ring
2	Profile bolt	6	Adjustable screw	10	Cover O-ring	14	Piston seal	18	Hex Socket Screw
3	Front Cover seal	7	Block slip	11	Barrel(Without)	15	Magnet(optional)	19	Back cover
4	Front cover	8	Self Lubricating bearing	12	Piston rod(Without)	16	Piston		

#### SI Series Cylinder Kits

Product	Model/ Specification	Part name	Material	Part name	Material
	SI Kits (ISO6431) Bore size: φ 32,40,50, 63,80,100,125, 160,200	Front cover	Aluminum alloy	Piston seal	NBR
		Back cover	Aluminum alloy	Wear ring	PA66
		Piston	Aluminum alloy	Self lubricating bearing	PTFE+Brass
		Piston rod(Without)	S45C hard chrome carbon steel	Magnet(optional)	RbFeb
		Barrel(Without)	Hard anodized aluminum	Cushion needle	Brass
		Front Cover seal	NBR	Hexagon screw	Carbon steel
		Cushion seal	NBR	Nut	Carbon steel
		Piston rod O-ring	NBR	Profile bolt	Carbon steel
		Cover O-ring	NBR		



NO	Designation	NO	Designation	NO	Designation	NO	Designation	NO	Designation
1	Nut	5	O-ring	9	Cushion Seal	13	Rod O-ring	17	Wear ring
2	Profile bolt	6	Adjustable screw	10	Cover O-ring	14	Piston seal	18	Hex Socket screw
3	Front Cover seal	7	Block slip	11	Barrel(Without)	15	Magnet(optional)	19	Back cover
4	Front cover	8	Self Lubricating bearing	12	Piston rod(Without)	16	Piston		