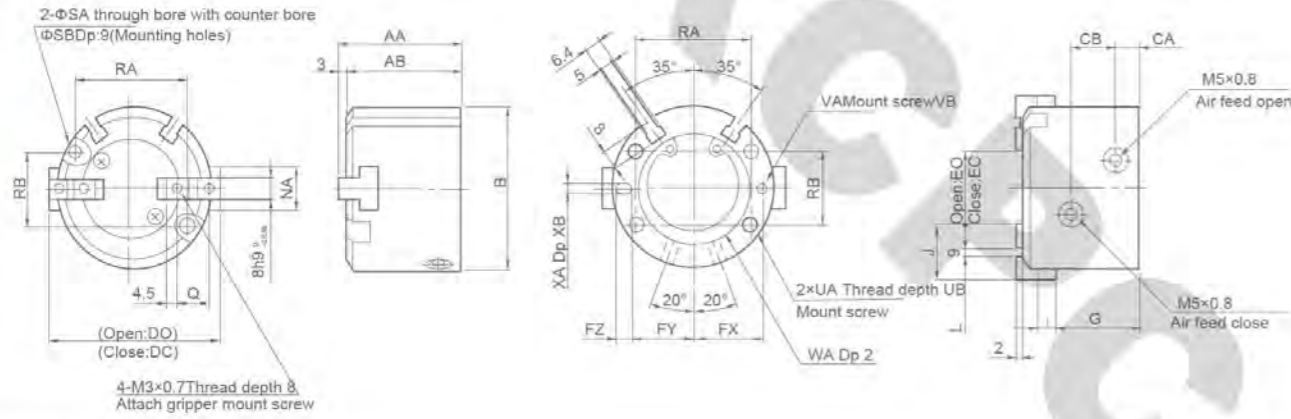


### XHS2 Series Slide Guide Air Gripper(Round Body)

Overall Dimensions

XHS2-32D~40D



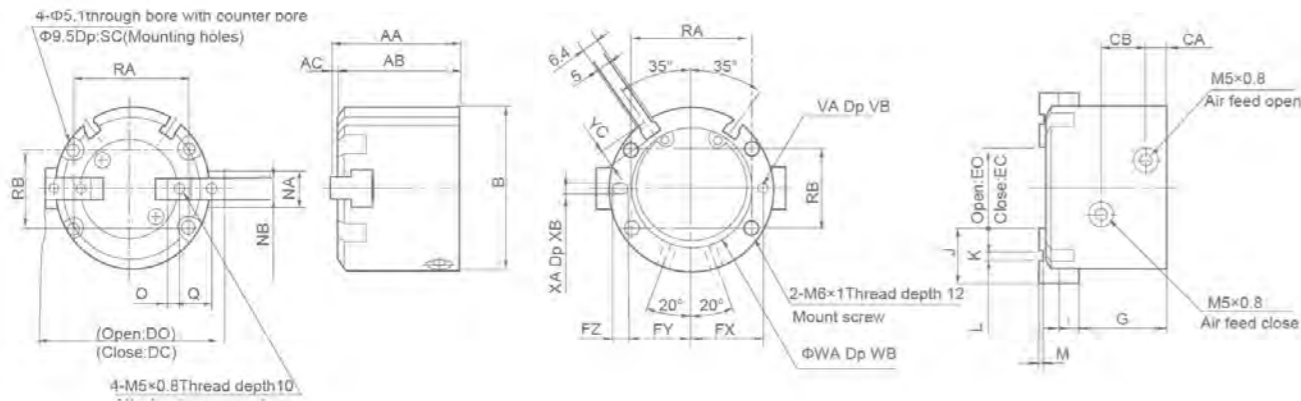
Bore(mm)	AA	AB	B	CA	CB	DC	DO	EC	EO	FX	FY	FZ	G	I	J	L	NA
32	44	41	56	8	16	56	64	16	24	23	20.5	5	30.5	6	20	2H9 <sup>+0.025</sup> <sub>0</sub>	14
40	47	44	62	9	17	62	70	20	28	26.5	23.5	6	32	7	21	3H9 <sup>+0.025</sup> <sub>0</sub>	16

Bore(mm)	Q	RA	RB	SA	SB	UA	UB	VA	VB	WA	XA	XB
32	11	38	25	4.5	8	M5x0.8	10	3H9 <sup>+0.025</sup> <sub>0</sub>	3	34H9 <sup>+0.025</sup> <sub>0</sub>	3H9 <sup>+0.025</sup> <sub>0</sub>	3
40	12	44	28	5.5	9.5	M6x1	12	4H9 <sup>+0.030</sup> <sub>0</sub>	4	42H9 <sup>+0.030</sup> <sub>0</sub>	4H9 <sup>+0.030</sup> <sub>0</sub>	4

Overall Dimensions

XHS2-50D~63D



Dimension Sheet

Bore(mm)	AA	AB	AC	B	CA	CB	DC	DO	EC	EO	FX	FY	FZ	G	I	J	K
50	55	52	3	70	9	20	70	82	22	34	31	28	6	37.5	9	24	10
63	66	62	4	86	12	22	86	102	30	46	38	34.5	7	44	11	28	11

Bore(mm)	L	M	NA	NB	O	Q	RA	RB	SC	VA	VB	WA	WB	XA	XB	YC
50	4H9 <sup>+0.030</sup> <sub>0</sub>	2	18	10H9 <sup>+0.030</sup> <sub>0</sub>	5	14	52	34	12	4H9 <sup>+0.030</sup> <sub>0</sub>	4	52H9 <sup>+0.030</sup> <sub>0</sub>	2	4H9 <sup>+0.030</sup> <sub>0</sub>	4	7
63	6H9 <sup>+0.030</sup> <sub>0</sub>	3	24	12H9 <sup>+0.030</sup> <sub>0</sub>	5.5	17	66	38	14	5H9 <sup>+0.030</sup> <sub>0</sub>	5	65H9 <sup>+0.030</sup> <sub>0</sub>	2.5	5H9 <sup>+0.030</sup> <sub>0</sub>	5	7.5

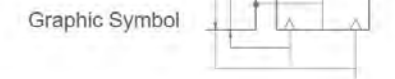
### XHS3 Series Slide Guide Air Gripper(Round Body)



XHS3-20D

Ordering Code

<b>XHS</b>	<b>3</b>	<b>□</b>	<b>32</b>	<b>D</b>
<b>Series Code</b> XHS: Round Body Type	<b>Finger quantity</b> 3: 3PCS	<b>Type</b> Blank: Standard J: With Cover L: Long Stroke	<b>Cylinder Bore</b> J: 16mm~80mm L: 16mm~125mm	<b>Action</b> D: Double-acting



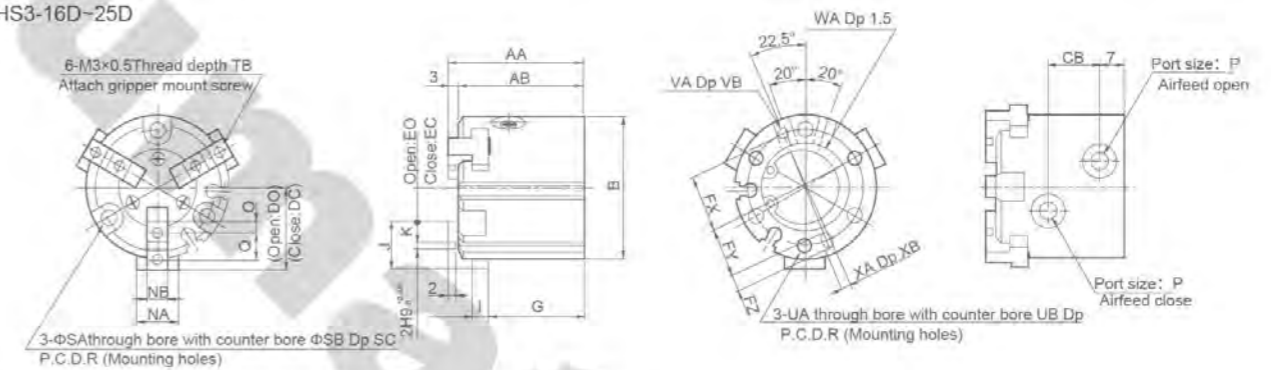
Specification

Bore(mm)	16	20	25	32	40	50	63	80	100	125	
Working Medium	Air										
Operating Pressure Range	0.2~0.6MPa					0.1~0.6MPa					
Ambient And Fluid	-10~60°C										
Repeatability Precision	±0.01										
Max.motion Frequency	120c.p.m					60c.p.m			30c.p.m		
Lubrication	Not required										
Motion Pattern	Double acting										
Note:Grip Power Pressure 0.5Mpa	Outer Diameter Grip	14	25	42	74	118	187	335	500	750	1270
With Cover-standard Gripper Stroke	Inner Diameter Grip	16	28	47	82	130	204	359	525	780	1320
	With Dustpreient Cover Outer Diameter Grip	9	21	36	62	97	155	280	400	-	-
Long Stroke Gripper Stroke	4	4	6	8	8	12	16	20	24	32	
Port Size	M3×0.5				M5×0.8			1/8	1/4	3/8	
Magnetism switch	With magnet										

Note: Grip outer diameter power, Φ16-Φ25grip distance L=20mm, Φ32-Φ63, grip distance L=30mm, Φ80-Φ125,grip distance L=50mm

Overall Dimensions

XHS3-16D~25D



Dimension Sheet

Bore(mm)	AA	AB	B	CB	DC	DO	EC	EO	FX	FY	FZ	G	I	J	K	NA	NB	O	P	Q	R
16	35	32	30	11	15	17	5	7	12.5	11	3	25	4	10	4	8	5H9 <sup>+0.030</sup> <sub>0</sub>	2	M3x0.5	6	25
20	38	35	36	13	18	20	6	8	14.5	13	3	27	5	12	5	10	6H9 <sup>+0.030</sup> <sub>0</sub>	2.5	M5x0.8	7	29
25	40	37	42	15	21	24	7	10	17	14.5	5	28	5	14	6	12	6H9 <sup>+0.030</sup> <sub>0</sub>	3	M5x0.8	8	34

Bore(mm)	SA	SB	SC	TB	UA	UB	VA	VB	WA	XA	XB
16	3.4	6.5	8	5	M3x0.5	4.5	2H9 <sup>+0.025</sup> <sub>0</sub>	2	17H9 <sup>+0.043</sup> <sub>0</sub>	2H9 <sup>+0.025</sup> <sub>0</sub>	2
20	3.4	6.5	9.5	6	M3x0.5	6	2H9 <sup>+0.025</sup> <sub>0</sub>	2	21H9 <sup>+0.062</sup> <sub>0</sub>	2H9 <sup>+0.025</sup> <sub>0</sub>	2
25	4.5	8	10	6	M4x0.7	6	3H9 <sup>+0.025</sup> <sub>0</sub>	3	26H9 <sup>+0.062</sup> <sub>0</sub>	3H9 <sup>+0.025</sup> <sub>0</sub>	3