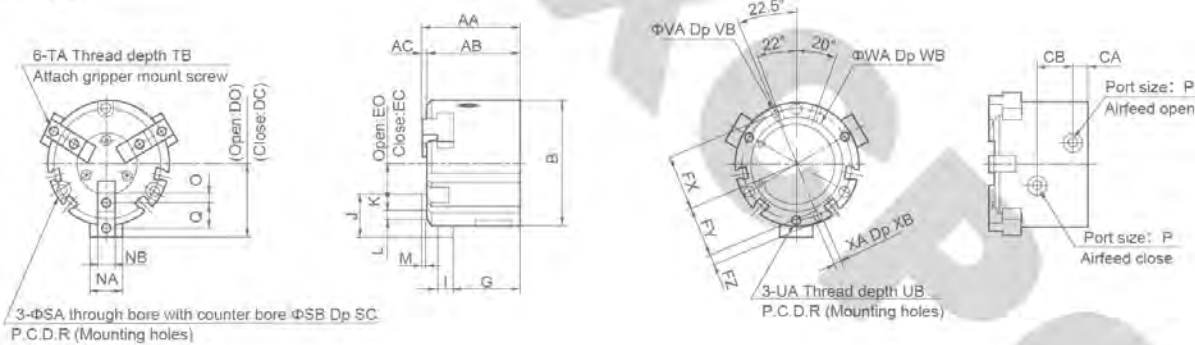


XHS3 Series Slide Guide Air Gripper(Round Body)

Overall Dimensions

XHS3-32D-80D



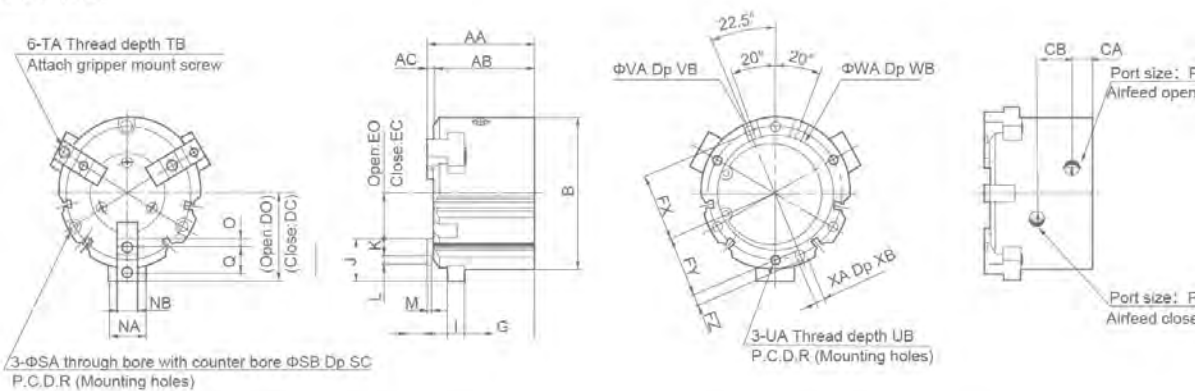
Overall Dimensions

Bore(mm)	AA	AB	AC	B	CA	CB	DC	DO	EC	EO	FX	FY	FZ	G	I	J	K	L	M	NA	NB
32	44	41	3	52	8	16	28	32	8	12	22	19.5	5	30.5	6	20	9	2H9 ₀ ^{+0.025}	2	14	8H9 ₀ ^{-0.036}
40	47	44	3	62	9	17	31	35	10	14	26.5	23.5	6	32	7	21	9	3H9 ₀ ^{+0.025}	2	16	8H9 ₀ ^{-0.036}
50	55	52	3	70	9	20	35	41	11	17	31	28	6	37.5	9	24	10	4H9 ₀ ^{+0.030}	2	18	10H9 ₀ ^{-0.036}
63	66	62	4	86	12	22	43	51	15	23	38	34.5	7	44	11	28	11	6H9 ₀ ^{+0.030}	3	24	12H9 ₀ ^{-0.043}
80	82	77	5	106	13.5	27	53.5	63.5	21.5	31.5	47.5	43.5	8	56	12	32	12	8H9 ₀ ^{+0.030}	4	28	14H9 ₀ ^{-0.043}

Bore(mm)	O	P	Q	R	SA	SB	SC	TA	TB	UA	UB	VA	VB	WA	WB	XA	XB	YC
32	4.5	M5×0.8	11	44	4.5	8	9	M4×0.7	8	M4×0.7	6	3H9 ₀ ^{+0.025}	3	34H9 ₀ ^{+0.027}	2	3H9 ₀ ^{+0.025}	3	6
40	4.5	M5×0.8	12	53	5.5	9.5	9	M5×0.8	8	M5×0.8	7.5	5H9 ₀ ^{+0.025}	4	42H9 ₀ ^{+0.027}	2	4H9 ₀ ^{+0.025}	4	8
50	5	M5×0.8	14	62	5.5	9.5	12	M5×0.8	10	M5×0.8	10	4H9 ₀ ^{+0.030}	4	52H9 ₀ ^{+0.027}	2	4H9 ₀ ^{+0.030}	4	7
63	5.5	M5×0.8	17	76	6.6	11	14	M5×0.8	10	M6×1	9	5H9 ₀ ^{+0.030}	5	65H9 ₀ ^{+0.027}	2.5	5H9 ₀ ^{+0.030}	5	7.5
80	6	Rc1/8	20	95	6.6	11	19	M6×1	12	M6×1	12	6H9 ₀ ^{+0.030}	6	82H9 ₀ ^{+0.027}	3	6H9 ₀ ^{+0.030}	6	8

Overall Dimensions

XHS3-100D-125D



Dimension Sheet

Bore(mm)	AA	AB	AC	B	CA	CB	DC	DO	EC	EO	FX	FY	FZ	G	I	J	K	L	M	NA	NB
100	96	90	6	134	18	30.6	66	78	28	40	59	54	10	63	15	38	15	8H9 ₀ ^{+0.025}	4	34	18H9 ₀ ^{-0.043}
125	122	114	8	166	23.5	38	82	98	30	46	74	68	12	84	18	52	21	10H9 ₀ ^{+0.030}	6	40	22H9 ₀ ^{-0.052}

Bore(mm)	O	P	Q	R	SA	SB	SC	TA	TB	UA	UB	VA	VB	WA	WB	XA	XB
100	7.5	Rc1/4	23	118	9	14	21	M8×1.25	16	M8×1.25	16	8H9 ₀ ^{+0.030}	6	102H9 ₀ ^{+0.027}	4	8H9 ₀ ^{+0.030}	6
125	10.5	Rc3/8	31	148	11	17.5	34	M10×1.5	20	M10×1.5	20	10H9 ₀ ^{+0.030}	8	130H9 ₀ ^{+0.027}	6	10H9 ₀ ^{+0.030}	8

XHS4 Series Slide Guide Air Gripper(Round Body)

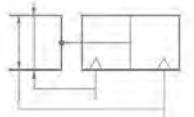


XHS4-32D

Ordering Code

XHS 4 - 32 D
 Series Code: XHS: Round Body Type
 Finger quantity: 4: 4PCS
 Cylinder Bore: 32: 16mm-63mm
 Action: D: Double-acting

Graphic Symbol

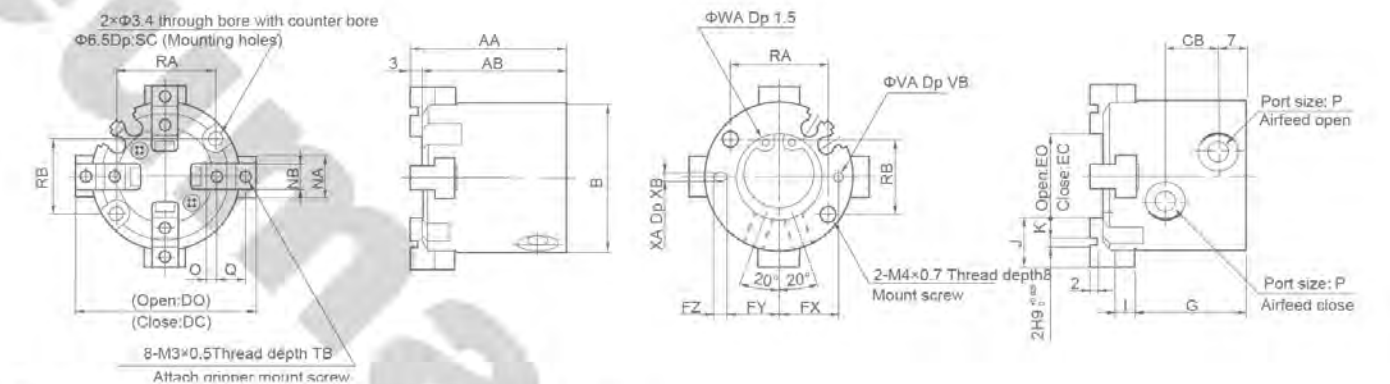


Specification

Bore(mm)	16	20	25	32	40	50	63
Working Medium				Air			
Operating Pressure Range	0.2-0.6MPa			0.1-0.6MPa			
Ambient And Fluid							-10-60°C
Repeatability Precision							±0.01
Max.motion Frequency	120c.p.m			60c.p.m			
Lubrication							Not required
Motion Pattern							Double acting
Note: grip Power	Outer Diameter Grip	10	19	31	55	88	251
Pressure 0.5Mpa	Inner Diameter Grip	12	21	35	61	97	268
Gripper Stroke	4	4	6	8	8	12	16
Port Size	M3×0.5			M5×0.8			
Magnetism Switch							With magnet

Note: Grip outer diameter power, Φ16-Φ25 grip distance 20mm, Φ32-Φ63 grip distance 30mm

Overall Dimensions



Dimension Sheet

Bore(mm)	AA	AB	B	CB	DC	DO	EC	EO	FX	FY	FZ	G	I	J	K	NA	NB	O	P	Q
16	35	32	30	11	33	37	13	17	12.5	11	3	25	4	10	4	8	5h9 ₀ ^{-0.030}	2	M3x0.5	6
20	38	35	36	13	39	43	15	19	14.5	13	3	27	5	12	5	10	6h9 ₀ ^{-0.030}	2.5	M5x0.8	7
25	40	37	42	15	48	54	20	26	17	14.5	5	28	5	14	6	12	6h9 ₀ ^{-0.030}	3	M5x0.8	8

Bore(mm)	RA	RB	SC	TB	VA	VB	WA	XA	XB
16	18	16	8	5	2H9 ₀ ^{+0.025}	2	17H9 ₀ ^{+0.043}	2H9 ₀ ^{+0.025}	2
20	24	18	9.5	6	2H9 ₀ ^{+0.025}	2	21H9 ₀ ^{+0.052}	2H9 ₀ ^{+0.025}	2
25	26	22	10	6	3H9 ₀ ^{+0.025}	3	26H9 ₀ ^{+0.052}	3H9 ₀ ^{+0.025}	3