

CY3R Series Rodless Cylinder



Ordering Code

CY3R — **G** — **25** × **50**

Series code
CY3R: Magnetically Coupled-Direct mount Type

Piping Form
Blank: Both sides of the pipe
G: Centralized piping

Bore size
15mm~40mm

Stroke
See Stroke List

Specification

Bore(mm)	15	20	25	32	40
Fluid	Air(Non Lub)				
Max.operating pressure	0.7				
Min.operating pressure	0.16		0.15	0.14	0.12
Environment and fluid temperature	-10~60°C (No freezing)				
Piston speed mm/s	50~500				
Cushion type	Rubber cushion on both ends				
Stroke tolerance	0~250 ^{+1.0} , 251~1000 ^{+1.4} , 1001~1500 ^{+1.8}				
Magnet holding force N	137	231	363	588	922
Port Size	M5×0.8			Rc1/8	

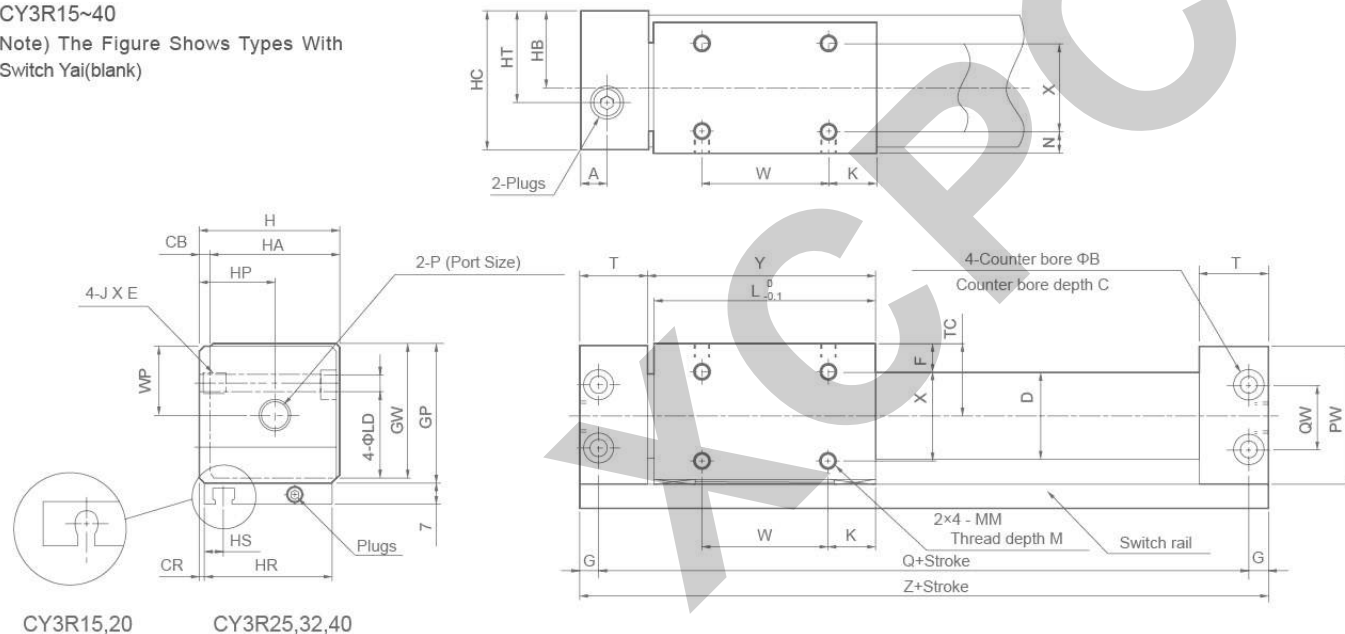
Stroke

Bore(mm)	Standard Stroke(mm)
15	50,100,150,200,250,300,350,400,450,500
20	
25	100,150,200,250,300,350,400,450,500,600,700,800
32	
40	100,150,200,250,300,350,400,450,500,600,700,800,900,1000

70% longer wear ring length achieving an improvement in bearing performance compared to CY3B.
A special resin Lub-retainer is installed on the dust seal to achieve idea lubrication on the external surface of the cylinder tube.
By using a Lub-retainer,the minimum operating pressure is reduced by 30%.
The mounting dimensions are the same as CY3B series.

Overall Dimensions

CY3R15~40
Note) The Figure Shows Types With Switch Yai(blank)



CY3R Series Rodless Cylinder

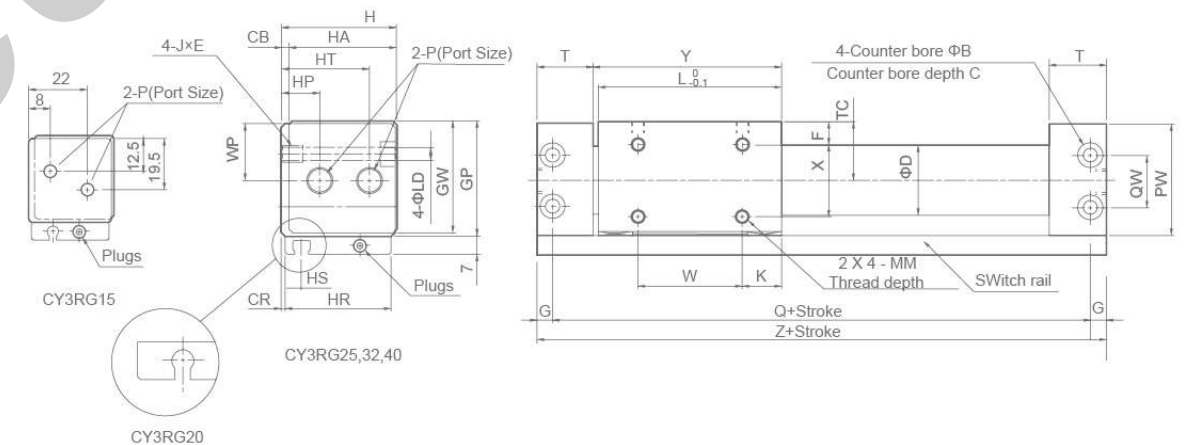
Dimension Sheet

Bore(mm)	A	B	C	CB	CR	D	F	G	GP	GW	H	HA	HB	HC	HP	HR	HS	HT	J×E	K
15	10.5	8	4.2	2	0.5	16.6	8	5	33	31.5	32	30	17	31	17	30	8.5	17	M5×0.8×7	14
20	9	9.5	5.2	3	1	21.6	9	6	39	37.5	39	36	21	38	24	36	7.5	24	M6×1×8	11
25	8.5	9.5	5.2	3	1	26.4	8.5	6	44	42.5	44	41	23.5	43	23.5	41	6.5	23.5	M6×1×8	15
32	10.5	11	6.5	3	1.5	33.6	10.5	7	55	53.5	55	52	29	54	29	51	7	29	M8×1.25×10	13
40	10	11	6.5	5	2	41.6	13	7	65	63.5	67	62	36	66	36	62	8	36	M8×1.25×10	15

Bore(mm)	L	LD	M	MM	N	PW	Q	QW	T	TC	W	WP	X	Y	Z
15	53	4.3	5	M4×0.7	6	32	84	18	19	17	25	16	18	54.5	94
20	62	5.6	5	M4×0.7	7	38	95	17	20.5	20	40	19	22	64	107
25	70	5.6	6	M5×0.8	6.5	43	105	20	21.5	22.5	40	21.5	28	72	117
32	76	7	7	M6×1	8.5	54	116	26	24	28	50	27	35	79	130
40	90	7	8	M6×1	11	64	134	34	26	33	60	32	40	93	148

Overall Dimensions

CY3RG15~40



Dimension Sheet

Bore(mm)	A	B	C	CB	CR	D	F	G	GP	GW	H	HA	HB	HC	HP	HR	HS	HT	J×E	K
15	10.5	8	4.2	2	0.5	16.6	8	5	33	31.5	32	30	17	31	17	30	8.5	17	M5×0.8×7	14
20	9	9.5	5.2	3	1	21.6	9	6	39	37.5	39	36	21	38	24	36	7.5	24	M6×1×8	11
25	8.5	9.5	5.2	3	1	26.4	8.5	6	44	42.5	44	41	23.5	43	23.5	41	6.5	23.5	M6×1×8	15
32	10.5	11	6.5	3	1.5	33.6	10.5	7	55	53.5	55	52	29	54	29	51	7	29	M8×1.25×10	13
40	10	11	6.5	5	2	41.6	13	7	65	63.5	67	62	36	66	36	62	8	36	M8×1.25×10	15

Bore(mm)	L	LD	M	MM	N	PW	Q	QW	T	TC	W	WP	X	Y	Z	HP	HT
15	53	4.3	5	M4×0.7	6	32	84	18	19	17	25	16	18	54.5	94	-	-
20	62	5.6	5	M4×0.7	7	38	95	17	20.5	20	40	19	22	64	107	11	28
25	70	5.6	6	M5×0.8	6.5	43	105	20	21.5	22.5	40	21.5	28	72	117	14.5	33.5
32	76	7	7	M6×1	8.5	54	116	26	24	28	50	27	35	79	130	20	41
40	90	7	8	M6×1	11	64	134	34	26	33	60	32	40	93	148	25	50

Note: The unmarked sizes are the same as both sides piping type.