

### XOC Series Air Source Treatment Unit



XOC-MINI

The XOC consisted of XOF, XOR and XOL, each unit can be ordered separately.  
 The XOF with water separator cleans the compressed air of fluid oil, condensation and dirt. Particles. For special application, the standard 40µm filter element may easily be replaced by a 5µm filter element.  
 The XOR maintain inputting constant operating pressure despite fluctuation in line pressure and the amount of air consumed. The proportional lubricator adds a regulated quantity of oil to the filtered air. The oil-mist content proportional to the flow and oil can be added during operation. The oil drop rate is controlled by the adjustable bolt. Normally, 1 to 12 drops/1000L of the air is sufficient

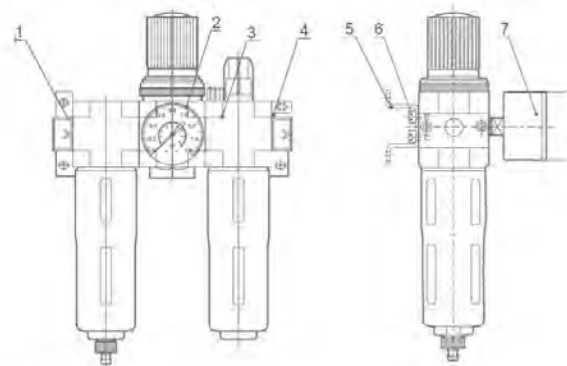
Ordering Code

<b>XO</b>	<b>C</b>	<b>MINI</b>	<b>1/4</b>	<b>□</b>	<b>□</b>	<b>□</b>
<b>Series</b>	<b>Function code</b>	<b>Body</b>	<b>Port Size</b>	<b>Grade of Filtration</b>	<b>Manometer Drain Type</b>	
XO Series	F.R.L Combination	MINI MIDI MAXI	G1/8" G1/2" G1/4" G3/4" G3/8" G1"	Blank: 40µm 5M: 5µm	Blank: 12bar 7: 7bar Blank: Turnd Manually S: Half-Auto Drain Type A: Auto Drain Type	

Specification

Model	MINI	MIDI	MAXI						
<b>Manual Drain</b>	Working pressure: 12bar, 40µm Working pressure: 7bar, 40µm Working pressure: 12bar, 5µm	XOC-1/4-MINI XOC-1/4-D-7-MINI XOC-1/4-5M-MINI	XOC-3/8-MINI XOC-3/8-7-MINI XOC-3/8-5M-MINI	XOC-1/2-MIDI XOC-1/2-7-MIDI XOC-1/2-5M-MIDI					
<b>Manometer</b>	0~12bar 0~7bar	OMA-40-16-1/8 OMA-40-10-1/8	OMA-50-16-1/4 OMA-50-10-1/4						
<b>Medium</b>	Compressed air								
<b>Features of structure</b>	Sintered filter with water separator; MINI/MIDI/MAXI: Piston regulator; Diaphragm type regulator; Direct constant-density lubricator								
<b>Mounting type</b>	Pipe mounting or foot mounting								
<b>Assembly position</b>	Vertical ±5°								
<b>Connection</b>	G1/8"	G1/4"	G3/8"	G3/8"	G1/2"	G3/4"	G3/4"	G1"	
<b>Standard nominal flow rate</b>	XOC-...(-A)	700	1000	1200	2000	2600	2600	7000	8000
	XOC-...-7(-A)	800	1300	1500	2500	2800	2800	8500	8700
	XOC-...-5M(-A)	600	850	1050	1700	1800	2100	6500	7200
<b>Primary pressure</b>	Manual condensate drain	1~16bar							
	Automatic condensate drain	1.5~12bar							
<b>Working pressure</b>	0.5~12bar/0.5~7bar								
<b>Min. Standard nominal flow rate</b>	3 L/min		6 L/min		10 L/min				
<b>Grade of filtration</b>	40µm/5µm								
<b>Capacity of condensate fluid</b>	22ml		43ml		80ml				
<b>Temperature range</b>	0~60°C								
<b>Materials information</b>	Housing: Zinc die-casting; Filter bowl and oil bowl: PC; Metal bowl guard: Aluminum alloy; Sealing: NBR; Adjusting knob: POM								

Internal structure

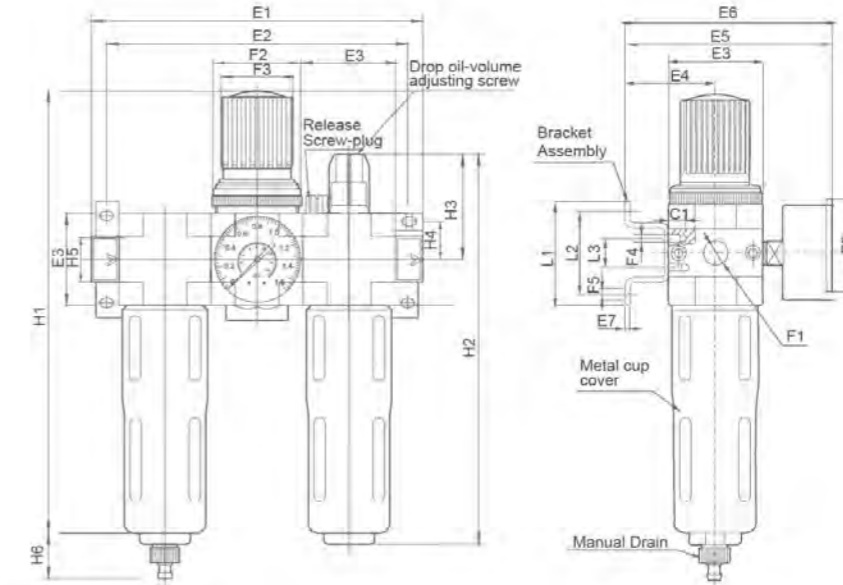
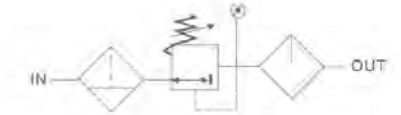


No	Name	Material
1	Flange-IN	Zinc alloy
2	Filter + Regulator	
3	Lubricator	
4	Flange - OUT	Zinc alloy
5	Bracket	SPCC
6	Allen screw	S35C
7	Pressure gauge	

### XOC Series Air Source Treatment Unit

Overall Dimensions

Graphic Symbol



Dimension Sheet

Model	E1	E2	E3	E4	E5	E6	E7	F1	F2
XOC-MINI	143	132	40	39	76	95	2	G1/8", G1/4", G3/8"	M36×1.5
XOC-MIDI	193	180	55	47	93	112	3	G3/8", G1/2", G3/4"	M52×1.5
XOC-MAXI	247	220	66	53	104	124	3	G3/4", G1"	M52×1.5

Model	F3Φ	F4	F5Φ	F6Φ	L1	L2	L3	H1	H2	H3	H4	H5	H6
XOC-MINI	31	M4	4.5	41	44	35	11	194	169	69	17.5	20	15
XOC-MIDI	50	M5	5.5	352	71	60	22	250	206	97	24.5	32	15
XOC-MAXI	50	M5	5.5	53	71	60	22	272	226	80	24.5	32, 40	15

Note: The Color Can Be Customized According to Your Requirement.

Flow diagram

Standard flow rate qn as a function of the output pressure p2

