

### XAL 1000~5000 Series Lubricator



XAL5000-10 XAL4000-04 XAL2000-02

Ordering Code

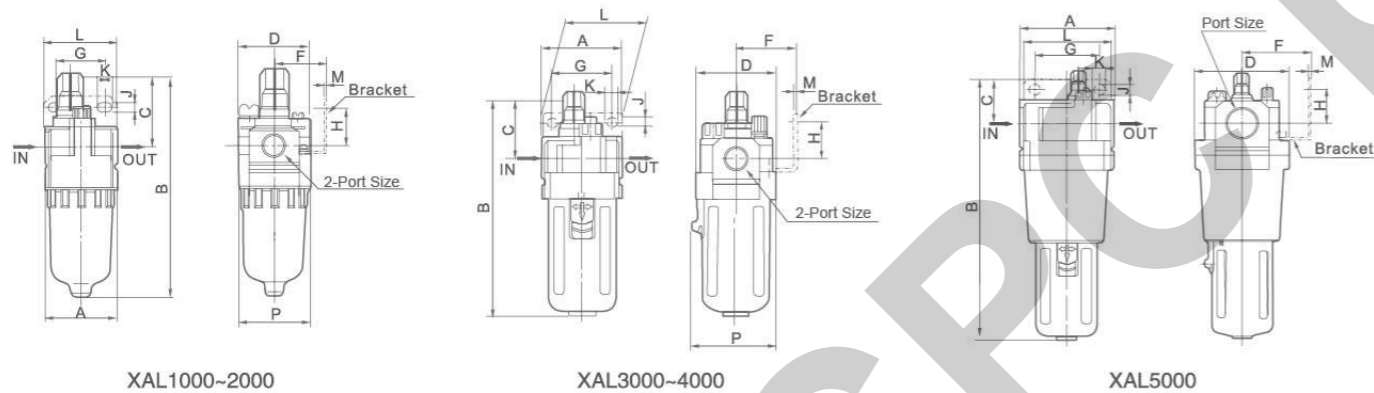
<b>XA</b>	<b>L</b>	<b>4000</b>	<b>04</b>	
<b>Series</b> XA Series	<b>Function code</b> Lubricator	<b>Body Size</b> 1000 2000 3000 4000 5000	<b>Port Size</b> M5:M5×0.8 01:G1/8" 02:G1/4" 03:G3/8" 04:G1/2" 06:G3/4" 10:G1"	<b>Metal Cup</b> U: With Iron Cup L: With Aluminum Cup (Available for 2000)

Graphic Symbol

Specification

Model	XAL1000-M5	XAL2000-01	XAL2000-02	XAL3000-02	XAR3000-03	XAL4000-03	XAL4000-04	XAL4000-06	XAL5000-06	XAL5000-10
Rated Flow	95	800	800	1700	1700	5000	5000	6300	7000	9000
Port Size	M5	G1/8"	G1/4"	G1/4"	G3/8"	G3/8"	G1/2"	G3/4"	G3/4"	G1"
Highest Working Pressure	1.0MPa									
Ensured pressure Resistance	1.5MPa									
Operating Temperature Range	5~60℃									
Recommended Oil Use	ISO VG 32									
Container Material	Polycarbonate									
Protective Cover	Not Available					Available				

Overall Dimensions



Dimension Sheet

Model	Port Size(G)	A	B	C	D	F	G	H	J	K	L	M	P
XAL1000	M5	25	81.5	25.5	25	-	-	-	-	-	-	-	27
XAL2000	G1/8"~G1/4"	40	125.5	38	40	30	27	22	5.4	8.4	40	2.3	40
XAL3000	G1/4"~G3/8"	53	150	38	53	41	40	23	6.5	8	53	2.3	56
XAL4000	G3/8"~1/2"	70	185	41	70	50	54	26	8.5	10.5	70	2.3	73
XAL4000-06	G3/4"	75	185	39	70	50	54	25	8.5	10.5	70	2.3	73
XAL5000	G3/4"~G1"	90	260	45	90	66.5	66	35	11	13	90	3.2	90

Note: We have upgraded Oil Drop Accessories on Lubricator of XA series 2000-5000 same to the XO series.

### XAF 8000~9000 Series Air Filter



XAF8000-14 XAF9000-20

Ordering Code

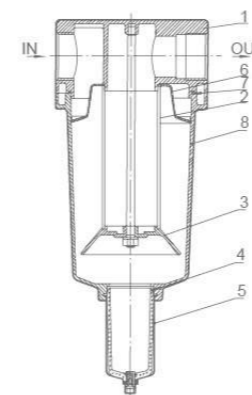
<b>XA</b>	<b>F</b>	<b>8000</b>	<b>14</b>	
<b>Series</b> XA Series	<b>Function code</b> Filter	<b>Body Size</b> 8000 9000	<b>Port Size</b> 12: G1 1/4" 14: G1 1/2" 20: G2"	<b>Drain Type</b> Blank: Manual D: Auto Drain Type

Specification

Model	XAF8000-12	XAF8000-14	XAF9000-20
Rated Flow(L/min)	11500	11500	18500
Port Size	G1 1/2"	G1 1/2"	G2"
Bowl Capacity(cm <sup>3</sup> )	180		
Filter Precision	25μ		
Highest Working Pressure	1.0MPa		
Ensured pressure Resistance	1.5MPa		
Operating Temperature Range	5~60℃		
Container Material	Polycarbonate		
Protective Cover	Available		
Drain Function	Differential Drain		

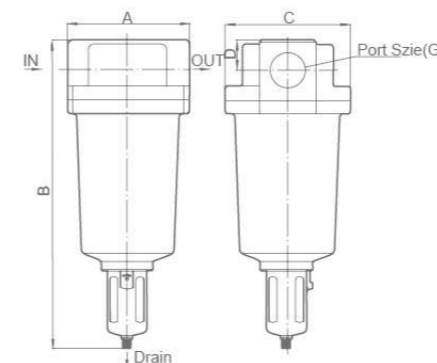
Under the circumstance that the supply pressure is 0.7MPa(7.1kgf/cm<sup>2</sup>)and step down is 0.5MPa(0.5kgf/cm<sup>2</sup>)

Internal structure



No.	Name	Material
1	Valve Body	Aluminum Die Casting
2	Filter	Brass
3	Drain Board	ADC12
4	O-ring	Rubber
5	Water Storage Cup(Shield)	Polycarbonate(Cold Rolled Sheet)
6	Whirlwind Blade	LY11
7	O-ring	Rubber
8	Middle Part	Aluminum Die Casting

Overall Dimensions



Dimension Sheet

Model	Port Size(G)	A	B	C	D
XAF8000	1 1/2	150	390	140	33
XAF9000	2	190	470	190	46