

XAR 8000~9000 Series Regulator



XAR8000-14

XAR9000-20

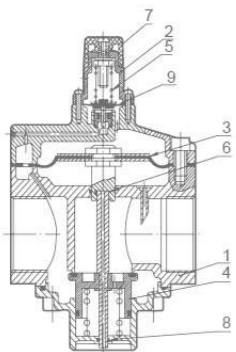
Ordering Code				
XA	R	8000	—	14
Series XA Series	Function code Regulator	Body Size 8000 9000		Port Size 14: G1½" 20: G2"

Specification

Model	XAR8000-14	XAR9000-20
Rated Flow(L/min)	18000	22000
Port Size	G1½"	G2"
Highest Working Pressure	1.0MPa	
Ensured pressure Resistance	1.5MPa	
Operating Temperature Range	5~60℃	
Range of Adjustable Pressure	0.05~0.85MPa	
Valve Type	With Overflow	
Pressure Gauge size	1/4	

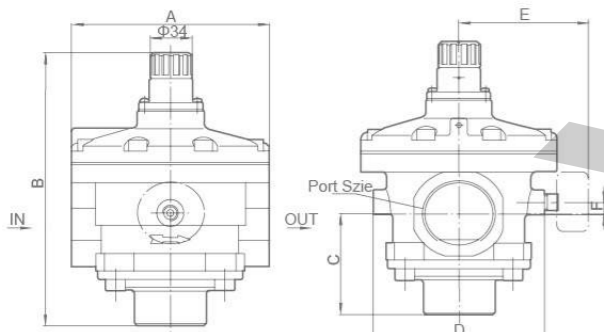
Under the circumstance that the supply pressure is 0.7MPa(7.1kgf/cm²)and step down is 0.5MPa(0.5kgf/cm²)

Internal structure



No.	Name	Material
1	Valve Body	Aluminum Die Casting
2	Bonnet	Aluminum Die Casting
3	Film	Rubber
4	Valve Core	Brass,Rubber
5	Spring	Stainless steel
6	O-ring	Rubber
7	Hand Wheel	Enhance nylon
8	O-ring	Rubber
9	Film	Rubber

Overall Dimensions



Dimension Sheet

Model	Port Size(G)	A	B
XAR8000	1½	Φ126	216
XAR9000	2	Φ160	242

Model	A	B	C	D
XAR8000	75	110	90.5	5
XAR9000	90	140	105.5	10

XG Series Air Source Treatment Unit

Ordering Code				
XGC2	01	<input type="checkbox"/>	L	
Model	Port Size	Series Code	Port Size	Drain Type
XGC2-01	G1/8"	Filter+Regulator+Lubricator	01	Blank:Differential Drain D:Automatic Drain
XGC2-02	G1/4"			
XGC3-02	G1/4"			
XGC3-03	G3/8"			
XGC3-04	G1/2"			Pressure Range
				Blank:Standard L:Low-Pressure Type



Ordering Code				
XGWL2	01	<input type="checkbox"/>	L	
Model	Port Size	Series Code	Port Size	Drain Type
XGWL2-01	G1/8"	Filter&Regulator+Lubricator	01	Blank:Differential Drain D:Automatic Drain
XGWL2-02	G1/4"			
XGWL3-02	G1/4"			
XGWL3-03	G3/8"			
XGWL3-04	G1/2"			Pressure Range
				Blank:Standard L:Low-Pressure Type



Ordering Code				
XGFR2	01	L	<input type="checkbox"/>	
Model	Port Size	Series Code	Port Size	Pressure Range
XGFR2-01	G1/8"	Filter+Regulator	01	Blank:Standard L:Low-Pressure Type
XGFR2-02	G1/4"			
XGFR3-02	G1/4"			
XGFR3-03	G3/8"			
XGFR3-04	G1/2"			Bracket
				Blank:Without bracket J:With bracket



Ordering Code				
XGF2	01	D	W	
Model	Port Size	Series Code	Port Size	Drain Type
XGF2-01	G1/8"	Filter	01	Blank:Differential Drain D:Automatic Drain
XGF2-02	G1/4"			
XGF3-02	G1/4"			
XGF3-03	G3/8"			
XGF3-04	G1/2"			Pressure Range
				Blank:40µm W:5µm



Ordering Code				
XGL2	01	<input type="checkbox"/>		
Model	Port Size	Series Code	Port Size	Thread Type
XGL2-01	G1/8"	Lubricator	01	Blank: BSP NPT: NPT PT: PT
XGL2-02	G1/4"			
XGL3-02	G1/4"			
XGL3-03	G3/8"			
XGL3-04	G1/2"			



Ordering Code				
XGR2	01	L	<input type="checkbox"/>	
Model	Port Size	Series Code	Port Size	Pressure Range
XGR2-01	G1/8"	Regulator	01	Blank:Standard L:Low-Pressure Type
XGR2-02	G1/4"			
XGR3-02	G1/4"			
XGR3-03	G3/8"			
XGR3-04	G1/2"			Bracket
				Blank:Without bracket J:With bracket

