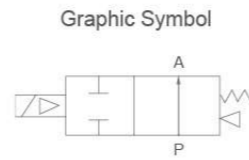


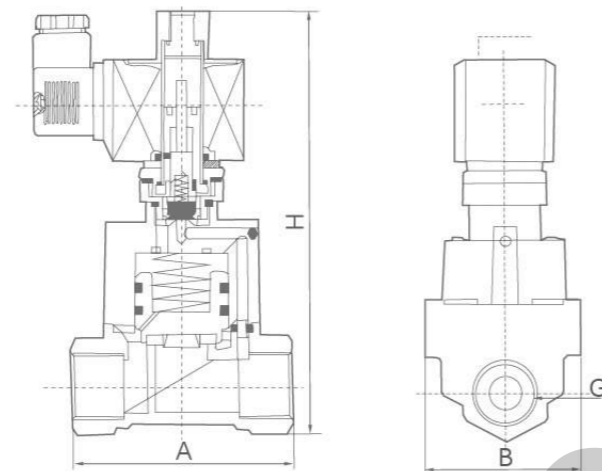
THP Series 2/2 Solenoid Valve(Normal Open)



Product Features

- Normal open, available body: brass, SS304, SS316
- Multiple seals are available for different medium
- Wide size range from 1/8" to 2"
- DIN style / flying leads coil, thread / flange connection
- Piston pilot solenoid valve with high working pressure and temperature

Overall Dimensions



Specification

Port size (G)	Orifice (mm)	CV value	Pressure difference(Bar)					Max. temperature (°C)	Power		Model		Overall dimension Length × Width × Height A × B × H(mm)
			Min. pressure	Max. working pressure			AC 220		DC 24V	Brass	Stainless steel		
				Air	Gas	Water, Hot water, Liquid						Light oil ≤20CST	
3/8"	15	4.5	0.5	8	8	8	8	130	33	32	THP10T-15LH	THP10T-15LS2H	75×52×147
	15	4.5	0.5	8	8	8	8	130	33	32	THP10T-15LHF	THP10T-15LS2HF	75×52×147
1/2"	15	4.5	0.5	8	8	8	8	130	33	32	THP-15TH	THP-15TS2H	75×52×147
	15	4.5	0.5	8	8	8	8	130	33	32	THP-15THF	THP-15TS2HF	75×52×147
3/4"	20	9	0.5	8	8	8	8	130	33	32	THP-20TH	THP-20TS2H	85×60×159
	20	9	0.5	8	8	8	8	130	33	32	THP-20THF	THP-20TS2HF	85×60×159
1"	25	13	0.5	8	8	8	8	130	33	32	THP-25TH	THP-25TS2H	100×70×166
	25	13	0.5	8	8	8	8	130	33	32	THP-25THF	THP-25TS2HF	100×70×166
1-1/4"	35	26	0.5	6	6	6	6	130	33	32	THP-35TH	THP-35TS2H	120×90×186
	35	26	0.5	6	6	6	6	130	33	32	THP-35THF	THP-35TS2HF	120×90×186
1-1/2"	35	26	0.5	6	6	6	6	130	33	32	THP40T-35LH	THP40T-35LS2H	120×90×186
	35	26	0.5	6	6	6	6	130	33	32	THP40T-35LHF	THP40T-35LS2HF	120×90×186
1"	25	25	0.5	8	8	8	8	130	33	32	-	THP-25FE2TS2H	134×110×200
Flange	25	13	0.5	8	8	8	8	130	33	32	-	THP-25FE2TS2HF	134×110×200
1-1/4"	35	26	0.5	6	6	6	6	130	33	32	-	THP-35FE2TS2H	160×134×215
Flange	35	26	0.5	6	6	6	6	130	33	32	-	THP-35FE2TS2HF	160×134×215
1-1/2"	40	26	0.5	6	6	6	6	130	33	32	-	THP-40FE2TS2H	160×145×200
Flange	40	26	0.6	6	6	6	6	130	33	32	-	THP-40FE2TS2HF	160×145×200

XPT Series Electronic-drain Valve



Product Features

The electronic-drain valve is made of solid state electronic time-setting and solenoid valve, which can make the compress condensates water drain automatically. It is widely used in filter drier, oil/water separator, refrigerant compressed air drying machine, drying machine, air compressor drip-feet, and so on. The time of drain and interval can be adjustable according to different needs.

Specification

Model	XPT, XPT-A, XPT-B
Various pressure can be provided	1.6MPa, 4.0MPa, 8.0MPa
Various electric voltages can be provided	AC220V, AC110V, DC24V
Variety connects can be provided	G1/4", G3/8", G1/2" female thread
Interval	(OFF) 0.5~45 Minutes
Drain time	(ON) 0.5~10 Second
Manual test button	TEST
Protection grade	IP65
Insulate grade	H class(Max/temp: 180°C)

- It can substitute for the expensive process valve;
- Only one type applies all applications;
- It can be installed simply, full-automatically, without maintenance;
- Sieve of ball valve can be mached