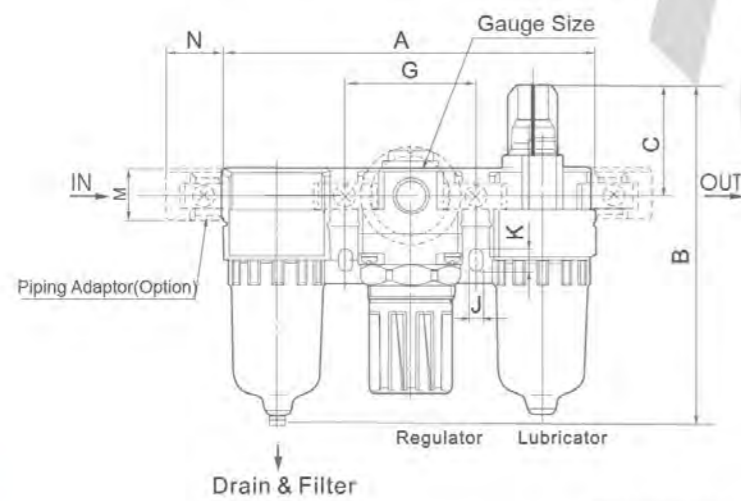
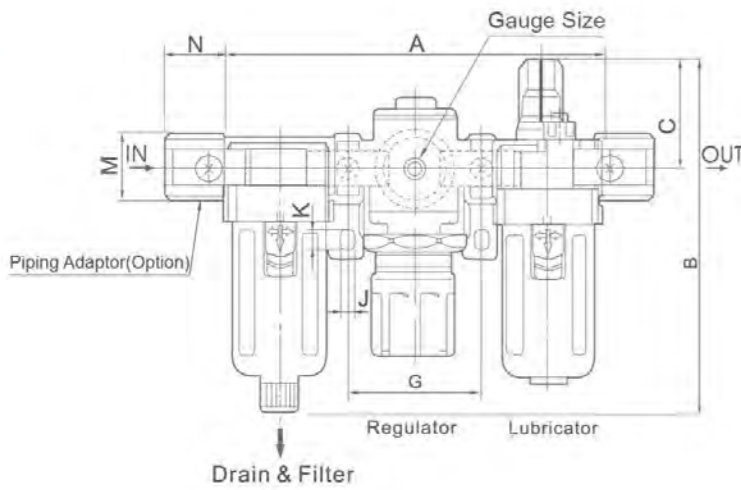
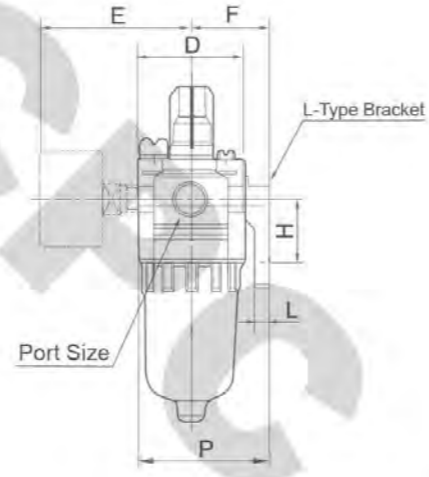


XAC1000~5000 Series Air Source Treatment Unit(F.R.L Combination)

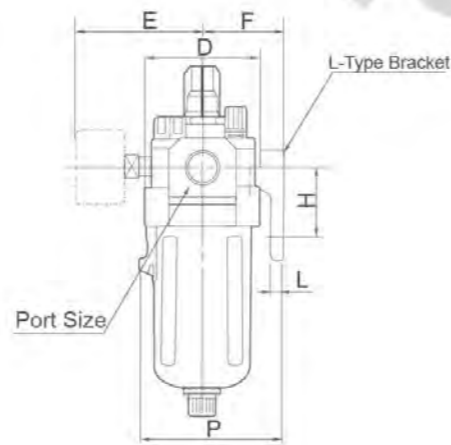
Overall Dimensions



XAC1010~2010



XAC3000~5000



Dimension Sheet

Model	Port Size(G)	A	B	C	D	E	F	G	H	J	K	L	M	N	P
XAC1000	M5	91	84.5	25.5	25	26	25	33	20	4.5	7.5	5	17.5	16	38.5
XAC2000	G1/8" ~G1/4"	140	128.5	38	40	56.8	30	50	24	5.5	8.5	5	22	23	50
XAC3000	G1/4" ~G3/8"	181	166	38	53	60.8	41	64	35	7	11	7	34.2	26	70.5
XAC4000	G3/8" ~1/2"	238	201	41	70	65.5	50	84	40	9	13	7	42.2	33	88
XAC4000-06	G3/4"	253	201	40.5	70	69.5	50	89	40	9	13	7	46.2	36	88
XAC5000	G3/4" ~G1"	300	276	48	90	75.5	70	105	50	12	16	10.5	55.5	40	115

XAC1010~5010 Series Air Source Treatment Unit(F.R.L Combination)



XAC5010-10



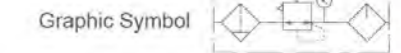
XAC4010-04



XAC2010-02



XAC2000-02L



Ordering Code

XA Series
 XA series
C Function code
 F.R.L Combination
4000 Body Size
 1010
 2010
 3010
 4010
 5010
04 Port Size
 M5: M5×0.8
 01: G1/8"
 02: G1/4"
 03: G3/8"
 04: G1/2"
 06: G3/4"
 10: G1"
□ Drain Type
 Blank: Manual Drain Type
 D: Auto Drain Type (Available for 2000 or above)
□ Metal Cup
 U: With Iron Cup
 L: With Aluminum Cup (Available for 2000)

Specification

Model	XAC1010 -M5	XAC2010 -01	XAC2010 -02	XAC3010 -02	XAC3010 -03	XAC4010 -03	XAC4010 -04	XAC4010 -06	XAC5010 -06	XAC5010 -10
Rated Flow(L/min)	90	500	500	1700	1700	3000	3000	3000	4000	4000
Port Size	M5	G1/8"	G1/4"	G1/4"	G3/8"	G3/8"	G1/2"	G3/4"	G3/4"	G1"
Filter Precision	25μ									
Highest Working Pressure	1.0MPa									
Ensured pressure Resistance	1.5MPa									
Operating Temperature Range	5~60℃									
Range of Adjustable Pressure	0.05~0.7MPa					0.05~0.85MPa				
Recommended Oil Use	ISO VG 32									
Container Material	Polycarbonate									
Protective Cover	Not Available					Available				
Drain Function	Differential Drain					Differential Drain/Automatic Drain				
Valve Type	With Over flow									
Composing Elements	Filter&Regulator	XAW1000-M5	XAW2000-01	XAW2000-02	XAW3000-02	XAW3000-03	XAW4000-03	XAW4000-04	XAW4000-06	XAW5000-06
	Lubricator	XAL1000-M5	XAL2000-01	XAL2000-02	XAL3000-02	XAL3000-03	XAL4000-03	XAL4000-04	XAL4000-06	XAL5000-06

Note: We have upgraded Oil Drop Accessories on Lubricator of XA series 2000-5000 same to the XO series.